



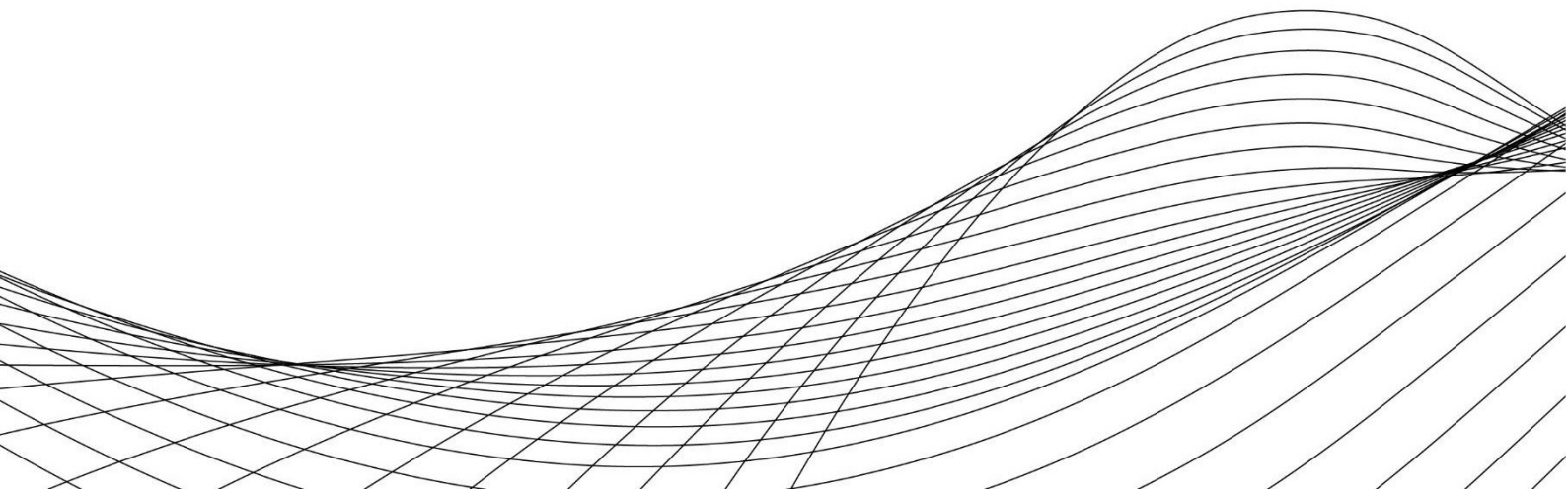
## 4MP DUAL LIGHT IP CAMERA

**PLC-424M-AU-DL3/PM**

[www.pollo.net.au](http://www.pollo.net.au)

[info@pollo.net.au](mailto:info@pollo.net.au)

- |       |     |     |     |     |                        |                  |     |      |     |          |
|-------|-----|-----|-----|-----|------------------------|------------------|-----|------|-----|----------|
| H.265 | WDR | AWB | HLC | BLC | Smart Supplement Light | Motion Detection | PoE | IP67 | VCA | -30°~60° |
|-------|-----|-----|-----|-----|------------------------|------------------|-----|------|-----|----------|

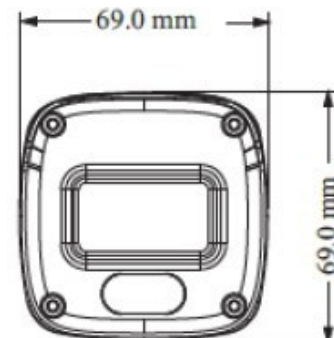
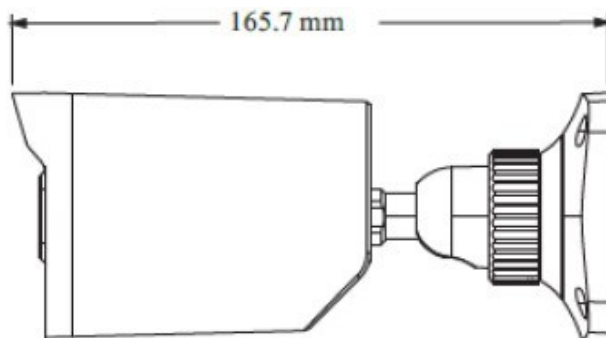




## Key Features:

- ✔ H.265+ /H.265 /H.264+ /H.264/MJPEG coding
- ✔ Max. resolution: 4MP (2560 × 1440)
- ✔ Auto day/night switch
- ✔ 3D DNR, HWDR, HLC, BLC, etc.
- ✔ ROI coding
- ✔ Support smart supplement light
- ✔ 20~30m white light view distance; 20~30m IR view distance
- ✔ DC12V/PoE power supply
- ✔ IP67 and IK10 ingress protection
- ✔ Support three streams
- ✔ Support remote monitoring by smart phones& tablet PCs with iOS and Android OS
- ✔ Support P2P function
- ✔ Support SMD
- ✔ Support line crossing detection, region intrusion detection, abandoned/missing object detection, video exception detection

## Dimensions:



## Specifications:

<b>Model</b>	<b>PLC-424M-AU-DL3/PM</b>
<b>Image Sensor</b>	1 / 3 "CMOS
<b>Image Size</b>	2560×1440
<b>Electronic Shutter</b>	1/1s ~ 1 / 100000s
<b>Iris Type</b>	Fixed Iris
<b>Min. Illumination</b>	0.005 lux @F1.6, AGC ON; 0 lux with illumination on
<b>Lens</b>	2.8mm, 3.6mm, 6mm
<b>Focus</b>	Fixed
<b>Lens Mount</b>	M12
<b>Day&amp;Night</b>	ICR
<b>Wide Dynamic Range</b>	120dB
<b>BLC</b>	Yes
<b>HLC</b>	Yes
<b>Digital NR</b>	Yes
<b>S/N Ratio</b>	≥50dB
<b>Angle Adjustment</b>	Pan: 0°~360°; Tilt:0°~80°;Rotation: 0°~360°
<b>Video Compression</b>	Main stream: H.265+ / H.265 / H.264+ / H.264 Sub stream: H.265+ / H.265 / H.264+ / H.264 / MJPEG Third stream: H.265+ / H.265 / H.264+ / H.264 / MJPEG
<b>H.265 Compression Standard</b>	Main <a href="#">Profile@Level4.1</a> High Tier
<b>Resolution</b>	4MP ( 2560 × 1440 ), 3MP ( 2304 × 1296 ), 1080P ( 1920 × 1080 ), 720P ( 1280 × 720 ), D1, VGA (640× 480), 480× 240, CIF
<b>Main Stream</b>	4MP/3MP/1080P/720P (60Hz: 1~30fps; 50Hz: 1~25fps)
<b>Sub Stream</b>	720P/D1/VGA/CIF (60Hz: 1~30fps; 50Hz: 1~25fps)
<b>Third Stream</b>	D1/480× 240/CIF (60Hz: 1~30fps; 50Hz: 1~25fps)
<b>Bit Rate</b>	64 Kbps ~ 6 Mbps
<b>Bit Rate Type</b>	VBR / CBR
<b>Image Settings</b>	ROI, Saturation, Brightness, Hue, Contrast, Wide Dynamic, Sharpness, Image Mirror, Image Flip, NR, etc. adjustable through client software or web browser
<b>Audio Compression</b>	G711A/U
<b>ROI</b>	Each ROI to be configured separately
<b>Network</b>	RJ45
<b>Video Output</b>	No
<b>Audio</b>	1CH audio input; 1CH built-in MIC
<b>Storage</b>	Built-in micro SD card slot, up to 512GB
<b>Reset</b>	Yes
<b>Remote Monitoring</b>	Web browser /Pollo NVR/PVMS Plus/Pollo Live Plus Mobile APP
<b>Web Browser</b>	Chrome 89.0+/Edge 89.0+/Firefox 87.0+/Safari 14.0+
<b>Online Connection</b>	Support simultaneous monitoring for up to 6 users; Support multi-stream real time transmission

<b>Network Protocol</b>	UDP, IPv4, IPv6, DHCP, NTP, RTSP, RTP, RTCP, RTMP, PPPoE, DDNS, SMTP, FTP, 802.1x, SNMP, UPnP, HTTP, HTTPS, HTTP POST, P2P, QoS
<b>Interface Protocol</b>	ONVIF
<b>Storage</b>	Network remote storage; micro SD card storage
<b>Smart Alarm</b>	Motion detection, SMD, SD card error, SD card full, IP address conflict, network disconnection, video exception
<b>Smart Event</b>	Line crossing/region intrusion (human/vehicle classification), abandoned/missing object detection
<b>General Function</b>	Watermark, IP address filtering, video mask, heartbeat, ANR, cloud upgrade, smart supplement light, corridor pattern
<b>PoE</b>	Yes (IEEE802.3af)
<b>Supplement Light Range</b>	IR range: 20 ~ 30 m; white light range:20 ~ 30 m
<b>Ingress Protection</b>	IP67 and IK10 (Metal Body)
<b>Security</b>	Video encryption, firmware encryption, HTTPS encryption, configuration encryption, illegal login lock, IP address filtering, 802.1x authentication, basic and digest authentication for HTTP/RTSP
<b>Power Supply</b>	DC12V/PoE
<b>Power Consumption</b>	< 6W
<b>Storage Conditions</b>	- 30 °C ~ 65°C (-22°F~149°F), Humidity: less than 95 % (non-condensing)
<b>Operating Conditions</b>	- 30 °C ~ 60 °C (-22°F~140°F), Humidity: less than 95 % (non-condensing)
<b>Dimensions ( mm )</b>	167.6 × 75 × 74.6
<b>Weight ( net )</b>	Approx. 0.45KG
<b>Installation</b>	Ceiling mounting; wall mounting
<b>Certificate</b>	CE, FCC
<b>Environmental Protection</b>	Complies with Directive EU RoHS, WEEE(2012/19/EU) , directive 94/62/EC and REACH(EC1907/2006)