

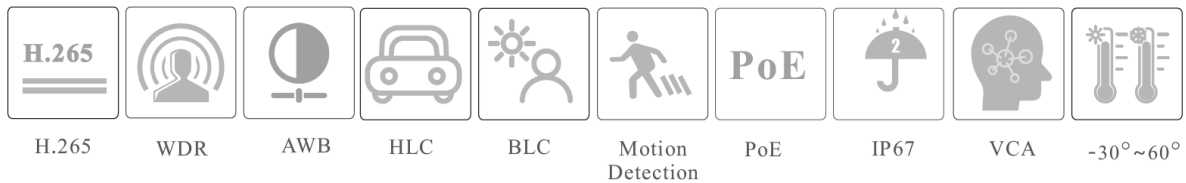


5MP IP Motorized Camera

PLC-425M-MZ-IR5/PM

www.pollo.net.au

info@pollo.net.au

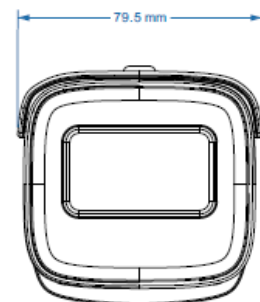
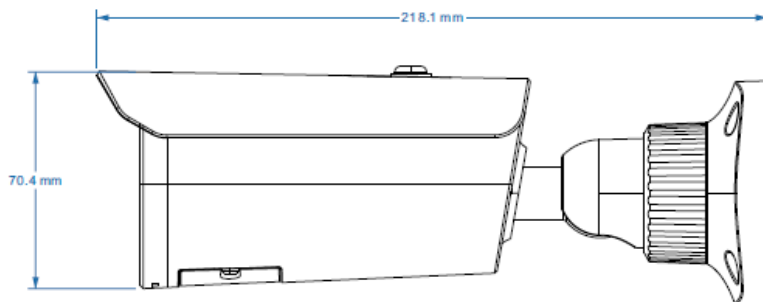




Key Features:

- ✔ H.265+ /H.265 /H.264+/H.264/MJPEG coding
- ✔ Max.resolution: 5MP (2880 × 1620)
- ✔ ICR auto switch, true day / night vision
- ✔ 3D DNR, WDR, HLC, BLC, smart IR, etc.
- ✔ ROI coding
- ✔ 30~50m IR night view distance
- ✔ Built-in micro SD card slot, up to 256GB
- ✔ DC12V/PoE power supply
- ✔ IP 67 ingress protection
- ✔ Support three streams
- ✔ Support remote monitoring by smart phones& tablet PCs
- ✔ with iOS and Android OS
- ✔ Intelligent analytics

Dimensions:





Specifications:

Model	PLC-425M-MZ-IR5/PM
Image Sensor	1 / 2.7" CMOS
Image Size	2880×1620
Electronic Shutter	1 / 2 s ~ 1 / 100000 s
Iris Type	Fixed Iris
Min. Illumination	0.007 lux @F1.6, AGC ON; 0 lux with IR
Lens	2.8~12mm@F1.4, motorized
Field of View	Horizontal: 100°~36.5°; Vertical: 52°~20.5; Diagonal: 116°~41°
Lens Mount	Ø14
Day & Night	ICR
Wide Dynamic Range	120dB
BLC	Yes
HLC	Yes
S/N Ratio	≥50dB
Digital NR	Yes
Angle Adjustment	Pan: 0°~360°; Tilt:0°~80°; Rotation: 0°~360°
Video Compression	Main stream: H.265+ / H.265 / H.264+ / H.264 Sub/third stream: H.265+ / H.265 / H.264+ / H.264 / MJPEG
H.264 Compression Standard	Main Profile@Leve4.1 High Tier
Resolution	5MP(2880×1620), 4MP(2560×1440), 3MP(2304×1296), 1080P(1920×1080), 720P(1280×720), D1, VGA(640× 480), 480× 240, CIF
Main Stream	5MP/4MP/3MP/1080P/720P(60Hz:1~30fps; 50Hz:1~25fps)
Sub Stream	60Hz: 720P/D1/ CIF (1~30fps);50Hz: 720P/D1/ CIF (1~25fps)
Third Stream	60Hz: D1/480× 240/CIF (1~30fps);50Hz: D1/480× 240/CIF(1~25fps)
Bit Rate	64 Kbps ~ 8 Mbps
Bit Rate Type	VBR / CBR
Audio Compression	G711A / U
Image Settings	ROI, Saturation, Brightness, Chroma, Contrast, Wide Dynamic, Sharpen, NR, etc. adjustable through client software or web browser
ROI	Each ROI to be configured separately
Network	RJ45
Video Output	No
Audio	1CH audio input; 1CH built-in MIC
Storage	Built-in micro-SD card slot; up to 256GB
Reset	Yes
Remote Monitoring	Web browsing, CMS remote control

Online Connection	Support simultaneous monitoring for up to 10 users; Support multi-stream real time transmission
Network Protocol	TCP/IP,UDP, IPv4, IPv6, DHCP, NTP, RTSP, RTP, RTCP, ICMP, IGMP, FTP, PPPoE, DDNS, SMTP, SNMP, HTTP, 802.1x, UPnP, HTTPs, QoS
Interface Protocol	ONVIF
Storage	Network remote storage; micro-SD card storage
Smart Alarm	Motion detection, SD card error, SD card full, IP address conflict, Cable connection
Smart Event	Line crossing/region intrusion (human/vehicle classification), abandoned/missing object detection
General Function	Watermark, IP address filtering, video mask, heartbeat, password protection, non-photosensitive switch, image distortion correction
Security	Video encryption, firmware encryption, HTTPS encryption, configuration encryption, illegal login lock, IP address filtering, 802.1x authentication, basic and digest authentication for HTTP/RTSP
PoE	Yes,
IR Distance	30 ~ 50 m
Ingress Protection	IP67
Power Supply	DC12V/PoE
Power Consumption	< 8.5W
Operating Environment	- 30 °C ~ 60°C (-22 °F~140°F) E42Humidity: less than 95 % non condensing
Dimensions (mm)	218.1 × 79.5 × 70.4
Weight (net)	Approx. 0.70KG
Installation	Ceiling mounting; Wall mounting
Certificate	CE, FCC
Environmental Protection	Complies with Directive EU RoHS, WEEE (2012/19/EU), directive 94/62/EC and REACH(EC1907/2006)