

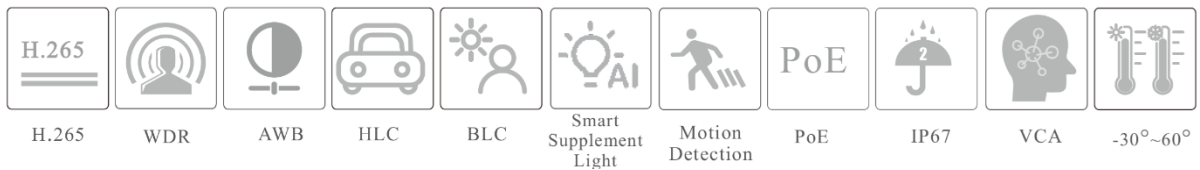


## 6MP Dual Light IP Camera

**PLC-426M-AU-DL3/PM**

[www.pollo.net.au](http://www.pollo.net.au)

[info@pollo.net.au](mailto:info@pollo.net.au)

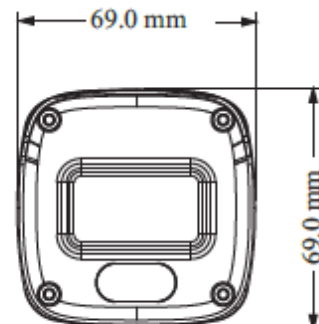
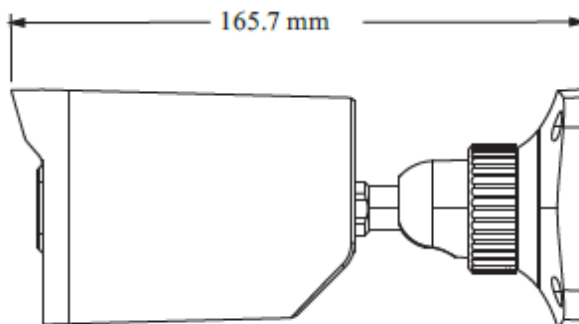




## Key Features:

- ✔ H.265+ /H.265 /H.264+ /H.264/MJPEG coding
- ✔ Max. resolution: 6MP ( 3200 × 1800)
- ✔ Auto day/night switch
- ✔ 3D DNR, HWDR, HLC, BLC, etc.
- ✔ ROI coding
- ✔ Support smart supplement light
- ✔ 20~30m white light view distance; 20~30m IR view distance
- ✔ DC12V/PoE power supply
- ✔ IP 67 ingress protection
- ✔ Support three streams
- ✔ Support remote monitoring by smart phones& tablet PCs with iOS and Android OS
- ✔ Support P2P function
- ✔ Support SMD
- ✔ Support line crossing detection, region intrusion detection, abandoned/missing object detection, video exception

## Dimensions:





## Specifications:

|                                   |   |
|-----------------------------------|---|
| <b>Model</b>                      | <b>PLC-426M-AU-DL3/PM</b>   |
| <b>Image Sensor</b>               | 1 / 2.5 "CMOS   |
| <b>Image Size</b>                 | 3200×1800   |
| <b>Electronic Shutter</b>         | 1/ 4 s ~ 1 / 100000s  |
| <b>Iris Type</b>                  | Fixed Iris  |
| <b>Min. Illumination</b>          | 0.008 lux @F1.6, AGC ON; 0 lux with illumination on   |
| <b>Lens</b>                       | 2.8mm@F1.6, Horizontal FoV: 104°; Vertical FoV:55°;Diagonal FoV:128° 3.6mm@F1.6, Horizontal FoV:78°;Vertical FoV:38°;Diagonal FoV:94°                     |
| <b>Focus</b>                      | Fixed   |
| <b>Lens Mount</b>                 | M12   |
| <b>Day Night</b>                  | ICR   |
| <b>Wide Dynamic Range</b>         | 120dB   |
| <b>BLC</b>                        | Yes   |
| <b>HLC</b>                        | Yes   |
| <b>Digital NR</b>                 | Yes   |
| <b>S/N Ratio</b>                  | ≥50dB   |
| <b>Angle Adjustment</b>           | Pan: 0°~360°; Tilt:0°~80°; Rotation: 0°~360°  |
| <b>Video Compression</b>          | Main stream: H.265+ / H.265 / H.264+ / H.264<br>Sub /Third stream: H.265+ / H.265 / H.264+ / H.264 / MJPEG  |
| <b>H.265 Compression Standard</b> | Main Profile@Leve4.1 High Tier  |
| <b>Resolution</b>                 | 6MP (3200 × 1800 ), 4MP ( 2688× 1520), 1080P ( 1920 × 1080 ), 720P ( 1280 × 720 ), D1, VGA (640× 480), 480× 240, CIF                                      |
| <b>Main Stream</b>                | 60Hz: 6MP(1~20fps) /4MP/1080P (1~30fps)<br>50Hz: 6MP(1~20fps) /4MP/1080P (1~25fps)  |
| <b>Sub Stream</b>                 | 720P/D1/VGA/CIF (60Hz: 1~30fps; 50Hz: 1~25fps)  |
| <b>Third Stream</b>               | D1/480× 240/CIF (60Hz: 1~30fps; 50Hz: 1~25fps)  |
| <b>Bit Rate</b>                   | 64 Kbps ~8Mbps  |
| <b>Bit Rate Type</b>              | VBR / CBR   |
| <b>Image Settings</b>             | ROI, Saturation, Brightness, Hue, Contrast, Wide Dynamic, Sharpness, Image Mirror, Image Flip, NR, etc. adjustable through client software or web browser |
| <b>Audio Compression</b>          | G711A/U   |
| <b>ROI</b>                        | Each ROI to be configured separately  |
| <b>Network</b>                    | RJ45  |
| <b>Video Output</b>               | No  |
| <b>Audio</b>                      | 1CH audio input; 1CH built-in MIC   |
| <b>Storage</b>                    | Built-in micro-SD card slot, up to 256GB  |
| <b>Reset</b>                      | Yes   |

|                                 |   |
|---------------------------------|---|
| <b>Remote Monitoring</b>        | Web browser /Pollo PVMS/Mobile APP  |
| <b>Web Browser</b>              | IE (plug-in required)/Google Chrome/Edge/Firefox/Safari   |
| <b>Online Connection</b>        | Support simultaneous monitoring for up to 6 users; Support multi-stream real time transmission  |
| <b>Network Protocol</b>         | UDP, IPv4, IPv6, DHCP, NTP, RTSP, RTP, RTCP, RTMP, PPPoE, DDNS, SMTP, FTP, 802.1x, SNMP, UPnP, HTTP, HTTPS, HTTP POST, P2P, QoS   |
| <b>Interface Protocol</b>       | ONVIF   |
| <b>Storage</b>                  | Network remote storage; micro-SD card storage   |
| <b>Smart Alarm</b>              | Motion detection, SMD, SD card full, SD card error  |
| <b>Smart Event</b>              | Video Exception (scene change, video blur and abnormal color detection), line crossing /region intrusion detection (human/motor vehicle/non-motor vehicle classification), abandoned/missing object detection |
| <b>General Function</b>         | Watermark, IP address filtering, video mask, heartbeat, system config backup, smart supplement light, corridor pattern  |
| <b>PoE</b>                      | Yes (IEEE802.3af)   |
| <b>Supplement Light Range</b>   | IR range: 20 ~ 30 m; white light range:20 ~ 30 m  |
| <b>Ingress Protection</b>       | IP67  |
| <b>Security</b>                 | Video encryption, firmware encryption, configuration encryption, illegal login lock, IP address filtering, 802.1x authentication, basic and digest authentication for HTTP                                    |
| <b>Power Supply</b>             | DC12V/PoE   |
| <b>Power Consumption</b>        | ≤6.5W   |
| <b>Storage Conditions</b>       | - 30 °C ~ 65°C (-22°F~149°F), Humidity: less than 95 % (non-condensing)   |
| <b>Operating Conditions</b>     | - 30 °C ~ 60 °C (-22°F~140°F), Humidity: less than 95 % (non-condensing)  |
| <b>Dimensions ( mm )</b>        | 167.6 × 75 × 74.6   |
| <b>Weight ( net )</b>           | Approx. 0.45KG  |
| <b>Installation</b>             | Ceiling mounting; wall mounting   |
| <b>Certificate</b>              | CE, FCC   |
| <b>Environmental Protection</b> | Complies with Directive EU RoHS, WEEE(2012/19/EU) , directive 94/62/EC and REACH(EC1907/2006)   |