

pöllö 
Prime Series



8MP 25X PTZ

PLC-9825-AI-IR20/PM

www.pollo.net.au

info@pollo.net.au



Smart Tracking



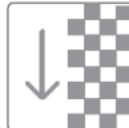
Starlight



True WDR



Day/Night



3D DNR



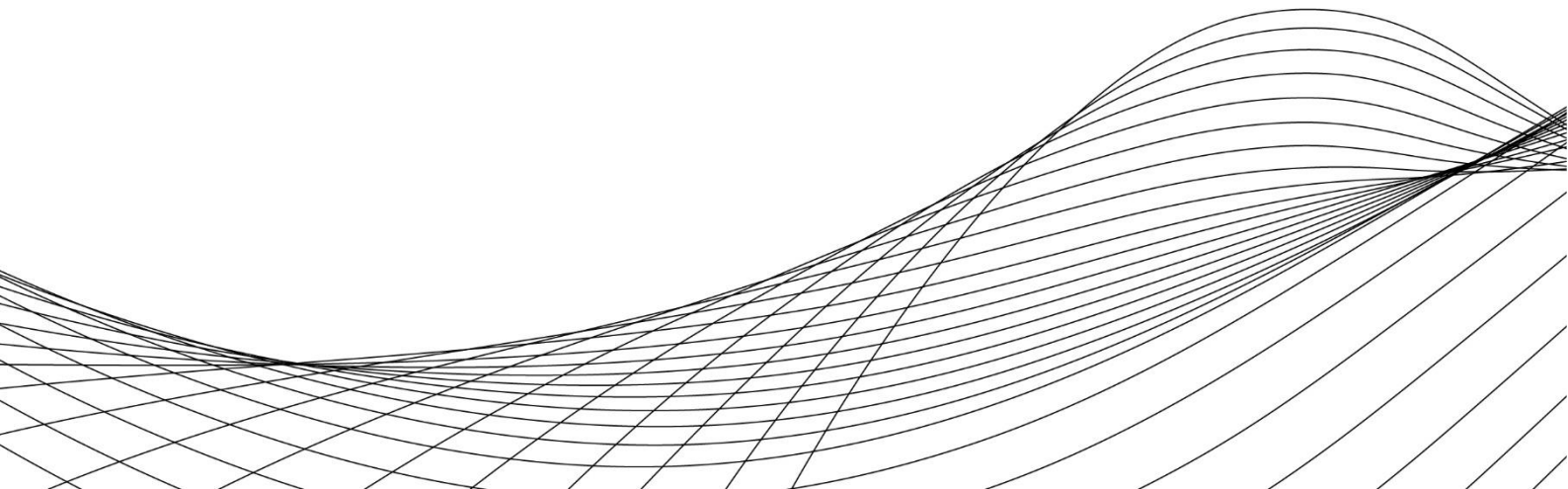
PoE++



IP67



H.265

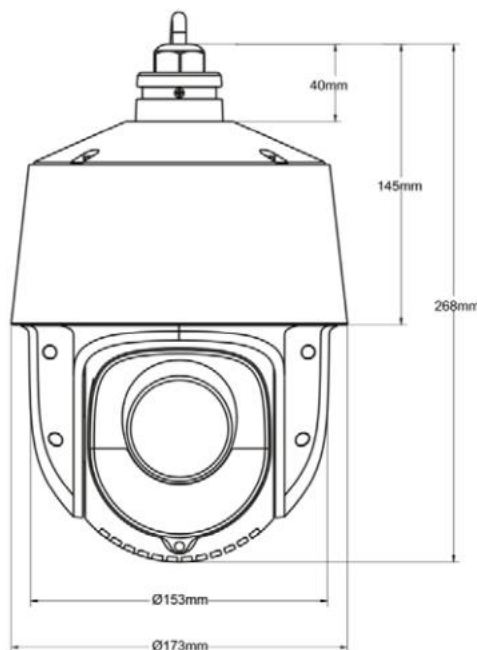




Key Features:

- ✔ 1/2.8" SONY progressive scan CMOS
- ✔ Up to 3840x2160 resolution
- ✔ Mini illumination:
 - Color: 0.01 lux @ (F1.65 AGC ON)
 - 0 Lux with IR
- ✔ 25x optical zoom, Accurate and fast focusing
- ✔ HDR, 3D DNR, Smart IR 200m
- ✔ Smart H.265/H.264+/H.264
- ✔ Intelligent Video content analytics
- ✔ Smart tracking of human/vehicle
- ✔ Smart detection and perimeter protection
- ✔ ONVIF, API and SDK
- ✔ PoE+ and DC12V
- ✔ IP67, -40°C~60°C, ADC12 & PC/GF

Dimensions:



Specifications:

Model	PLC-9825-IR20/PM
Image sensor	1/2.8"SONY latest progressive scan CMOS
Max resolution	3840x2160
Mini. Illumination	Color : 0.01Lux @ (F1.65, AGC ON) ; B/W : 0.002Lux @(F1.65 AGC ON);0Lux with IR
Image setting	Flip, Mirror, Saturation, Brightness, Contrast, Sharpness, AGC, etc. adjusted by client
Shutter Speed	50Hz: 1/25 s~1/25,000s, 60Hz: 1/30s~1/30,000s
White Balance	Auto/Manual/Indoor/Outdoor
Gain control	Auto/Manual
Day & Night control	Auto/Manual ,time schedule
Iris control	Auto/Manual
SNR	≥52dB
3D DNR	Auto/Manual
AE Enhancement	BLC, HLC, WDR
Privacy Mask	4 areas, up to 8 mask per request
Picture overlay	Logo picture could be overlaid on video with 128x128pixels,24bits BMP format
OSD overlay	max 15 characters/line, 8 lines, white or red font color
Focus length	f=4.8-120mm lens,25x optical zoom
Zoom Speed	Approx. 3.6s (optical zoom, wide-tele)
Field of View	Horizontal: 57.6° ~2.4° ; Vertical: 33.4° ~ 1.4°; Diagonal: 64.5° ~ 2.9° (wide-tele) ±5%
Working distance	wide: 1.0m ~ INF; tele: 1.5m ~ INF
Iris Range	F1.65 ~ F3.8 (wide-tele)
IR Cut type	Removable IRCUT filter
Pan Range	360°endless
Pan speed	Configurable, from 0.1~200°/s; Preset speed: 240°/s
Tilt Range	From -10° to 90°,auto flip
Tilt Speed	Configurable, from 0.1°~ 200°/s, Preset speed: 240°/s
Proportional Zoom	Yes
Cruise	8 cruises, up to 16 presets for each cruises
Trace	4 traces, record time over 3 minutes for each trace
Power off memory	Support
Action mode	Preset/Cruise/Trace/Auto Scan/Random Scan
3D Positioning	Support
PTZ Position Display	Support
Schedule Task	Preset/Cruise/Trace/Random Scan/Boundary Scanning /Dome reboot
IR Distance	200M, dual stack IR LED array, 6pcs into 3groups
Smart IR	Yes
Main stream	50Hz: 3840 × 2160,2560 × 1440,1920 × 1080,1280 × 960,1280 × 720,@25fps 60Hz: 30fps:3840 × 2160,2560 × 1440,1920 × 1080,1280 × 960,1280 × 720,@30fps
Sub stream	50Hz: (704 × 576, 640 × 480, 352 × 288) @25fps 60Hz: (704 × 480, 640 × 480, 352 × 240) @30fps
Third Stream	50Hz:(1920 × 1080, 1280 × 960, 1280 × 720, 704 × 576, 640 × 480, 352 × 288) @25fps 60Hz:(1920 × 1080, 1280 × 960, 1280 × 720, 704 × 480, 640 × 480, 352 × 240) @30fps

Video compression	H.265+/H.265/H.264+/H.264/MJPEG
H.264 Standard	H.264/AVC codec BP/MP/HP, Level 5.1
H.265 Standard	H.265/HEVC codec MP, level 5.0
Video Bit Rate	64 Kbps to 16Mbps
Audio compression	G.711 A/U
Audio Bit Rate	64K bps
Protocols	HTTP, HTTPS, IPv4/IPv6, 802.1x, QoS, FTP, SMTP, UPnP, SNMP, DNS, DDNS, NTP, RTSP, RTCP, RTP, TCP/IP, UDP, DHCP, PPPoE
User / Host	Up to 16 users, 3 levels: Administrator, Advanced User and Normal User
Security Measures	User authentication (ID and PW), Host authentication (MAC address); HTTPS encryption, IEEE802.1x port-based network access control; IP address filtering
Basic event	Motion detection, Video tampering alarm, Exception (Network disconnected, IP address conflict, SD full, SD error)
Face recognizes	Ver5.0.1: Detecting max 15-17 faces at same scene. Detecting, recognition, Ver5.1.1:and comparing, max 20Kpcs face ID storage
Road traffic	Vehicle detecting and tracking
Smart Detection	Tripwire, Bi-directional tripwire, Illegal intrusion detection, Region entrance detection, Region exiting detection, etc. More VCA per request.
Smart Tracking	smart tracking of human or vehicle, auto/manual
Alarm Interface	1 Alarm input (Dry contact); 1 Alarm output
Audio Interface	1 audio input (MIC in); 1 audio output, line level, impedance,600Ω
Alarm Linkage	Alarm actions, such as Preset, Cruise, Track, Memory Card Video Record, Trigger Recording, Notify Surveillance Center, Upload to FTP/Memory Card, Send Email, etc
Network Interface	1 RJ45 10M/100M Adaptive Ethernet, Support PoE+
SD Card Slot	One Micro SD slot, up to 256G
Reset button	Yes
Heater	Yes
Fan	Yes
Water removal	Remove water-drops by quick spinning
API	ONVIF, support Pollo SDK and third-party management platform
Client	PVMS Plus
Web Browser	IE8-11
Languages	Czech; English, German; Hungarian; Italian; Japanese; Korean; Portuguese, Polish; Russian, Romanian, Spanish; Spanish (Mexico); Simplified Chinese; Turkish; Traditional Chinese
Power Supply	DC12V±25%,3000mA , PoE+ (802.3.at,class 3), max 24W include IR ON+PTZ working
Working condition	-40°C ~ 60°C (-40°F ~ 140°F), Cold start at - 30°C(0.5Hour waiting); 90%RH
Storage condition	-40°C ~ 70°C ; ≤ 95% RH
Protection	IP67, 6000V Lightning Protection, Surge Protection and Voltage Transient Protection
Material	Aluminium Alloy + Polymer (Plastic with glass fiber 15%)
Dimensions	Φ 173mm × 268mm (6.8 inch Φ × 10.55 inch)
Weight	Approx. 2.1 Kg (4.63 lb.)
Certification	IP67, IK10(excluding glass window), ROHS, CE, FC