



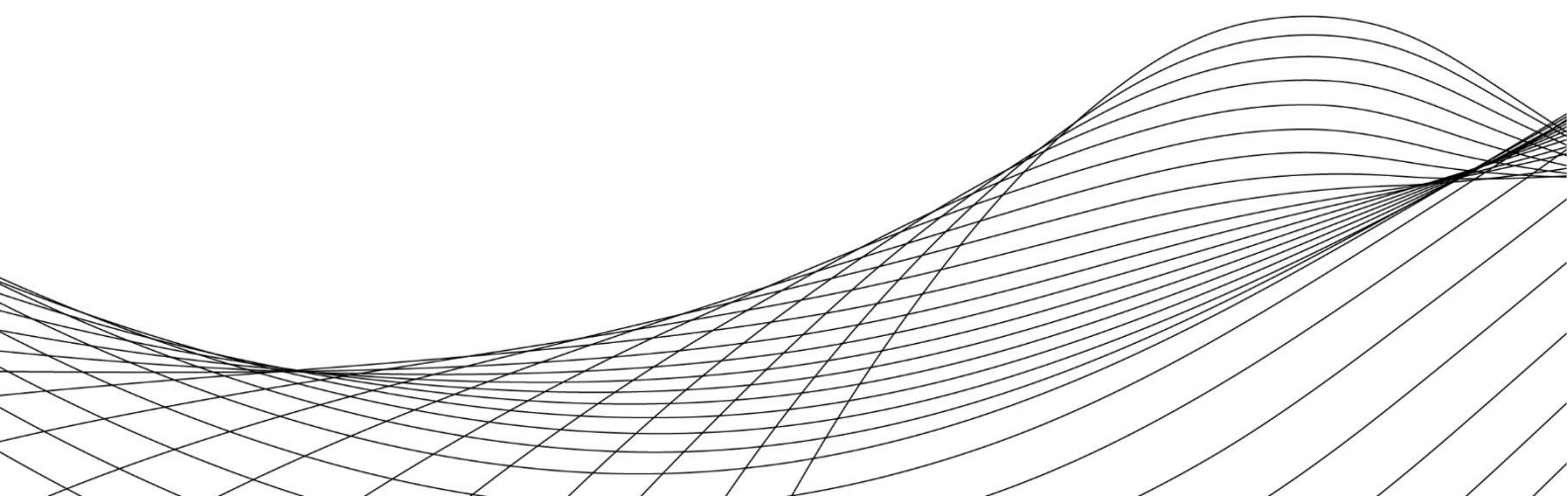
8MP DUAL LIGHT IP CAMERA

PLC-428M-AU-DL3/PM

www.pollo.net.au

info@pollo.net.au

- | | | | | | | | | | | |
|-------|-----|-----|-------|-----|-----|------------------|-----|------|-----|----------|
| | | | | | | | | | | |
| H.265 | WDR | AWB | Defog | HLC | BLC | Motion Detection | PoE | IP67 | VCA | -20°~55° |

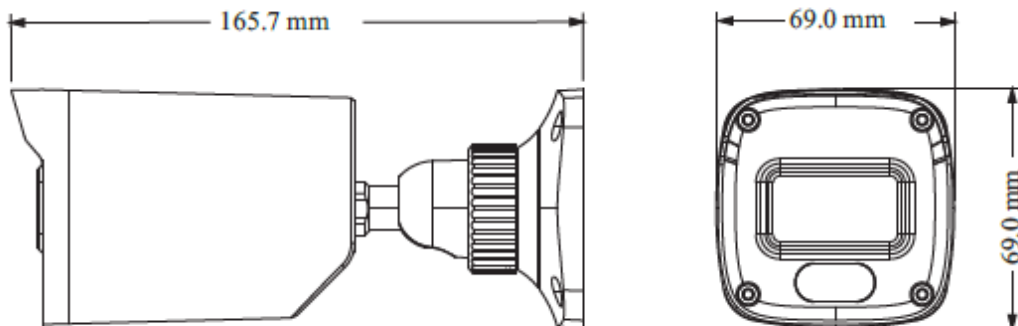




Key Features:

- ✔ H.265+ /H.265 /H.264+ /H.264/MJPEG coding
- ✔ Max. resolution: 8MP (3840 × 2160)
- ✔ Auto day/night switch
- ✔ 3D DNR, HWDR, HLC, BLC, Defog, etc.
- ✔ ROI coding
- ✔ Support smart supplement light
- ✔ 20~30m white light view distance; 20~30m IR view distance
- ✔ DC12V/PoE power supply
- ✔ IP 67 ingress protection
- ✔ Support three streams
- ✔ Support remote monitoring by smart phones& tablet PCs with iOS and Android OS
- ✔ Support P2P function
- ✔ Support SMD
- ✔ Support line crossing detection, region intrusion detection, abandoned/missing object detection, video exception detection

Dimensions:



Specifications:

Model	PLC-428M-AU-DL3/PM
Image Sensor	1 / 2.8 "CMOS
Image Size	3840×2160
Electronic Shutter	1 / 3s ~ 1 / 100000s
Iris Type	Fixed Iris
Min. Illumination	0.02 lux @F1.6, AGC ON; 0 lux with illumination on
Lens	2.8mm@F1.6, Horizontal FoV: 106°; Vertical FoV:57°; Diagonal FoV:124° 3.6mm@F1.6, Horizontal FoV:90°; Vertical FoV:47°; Diagonal FoV:107°
Focus	Fixed
Lens Mount	M12
Day & Night	ICR
Wide Dynamic Range	120dB
BLC	Yes
HLC	Yes
Digital NR	Yes
Defog	Yes
S/N Ratio	≥50dB
Angle Adjustment	Pan: 0°~360°; Tilt:0°~80°; Rotation: 0°~360°
Video Compression	Main stream: H.265+ / H.265 / H.264+ / H.264 Sub /Third stream: H.265+ / H.265 / H.264+ / H.264 / MJPEG
H.265 Compression Standard	Main Profile@Leve4.1 High Tier
Resolution	8MP (3840×2160),6MP (3200×1800), 4MP (2688×1520), 2K (2560×1440), 1080P (1920×1080), 720P (1280×720), D1, VGA (640×480), 640× 360, 480× 240, CIF
Main Stream	60Hz: 8MP(1~20fps) /6MP/4MP/2K/1080P (1~30fps) 50Hz: 8MP(1~20fps) /6MP/4MP/2K/1080P (1~25fps)
Sub Stream	720P/D1/VGA/640×360/CIF/480× 240 (60Hz: 1~30fps; 50Hz: 1~25fps)
Third Stream	720P/D1/640×360/CIF (60Hz: 1~30fps; 50Hz: 1~25fps)
Bit Rate	64 Kbps ~12Mbps
Bit Rate Type	VBR / CBR
Image Settings	ROI, Saturation, Brightness, Hue, Contrast, Wide Dynamic, Sharpness, Image Mirror, Image Flip, NR, etc. adjustable through client software or web browser
Audio Compression	G711A/U
ROI	8ROI, Each ROI to be configured separately
Network	RJ45
Video Output	No
Audio	1CH audio input; 1CH built-in MIC
Storage	Built-in micro-SD card slot, up to 256GB
Reset	Yes
Remote Monitoring	Web browser /PVMS Plus /Pollo Live Plus
Web Browser	IE11(plug-in required)/Chrome 89.0+/Edge 89.0+/Firefox 87.0+/Safari 14.0+

Online Connection	Support simultaneous monitoring for up to 10 users; Support multi-stream real time transmission
Network Protocol	UDP, IPv4, IPv6, DHCP, NTP, RTSP, RTP, RTCP, RTMP, PPPoE, DDNS, SMTP, FTP, 802.1x, SNMP, UPnP, HTTP, HTTPS, HTTP POST, P2P, QoS
Interface Protocol	ONVIF
Storage	Network remote storage; micro-SD card storage
Smart Alarm	Motion detection, SMD, SD card full, SD card error, IP address conflict, cable disconnection, video exception (scene change, video blur and abnormal color detection)
Smart Event	Line crossing /region intrusion detection (human/motor vehicle/non-motor vehicle classification), abandoned/missing object detection
General Function	Watermark, IP address filtering, video mask, heartbeat, system config backup, smart supplement light, corridor pattern, image distortion correction
PoE	Yes (IEEE802.3af)
Supplement Light Range	IR range: 20 ~ 30 m; white light range:20 ~ 30 m
Ingress Protection	IP67
Security	Video encryption, firmware encryption, configuration encryption, illegal login lock, IP address filtering, 802.1x authentication, basic and digest authentication for HTTP
Power Supply	DC12V/PoE
Power Consumption	< 7W
Storage Conditions	- 30 °C ~ 65°C (-22°F~149°F), Humidity: less than 95 % (non-condensing)
Operating Conditions	- 30 °C ~ 60 °C (-22°F~140°F), Humidity: less than 95 % (non-condensing)
Dimensions (mm)	167.6 × 75 × 74.6
Weight (net)	Approx. 0.42KG
Installation	Ceiling mounting; wall mounting
Certificate	CE, FCC
Environmental Protection	Complies with Directive EU RoHS, WEEE (2012/19/EU), directive 94/62/EC and REACH(EC1907/2006)