

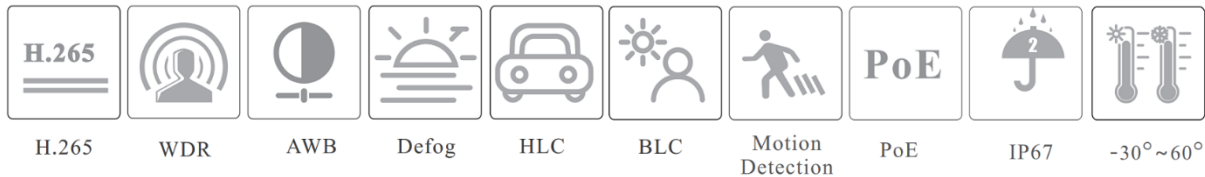


4MP DUAL LIGHT IP CAMERA

PLC-434P-AU-DL3/PM

www.pollo.net.au

info@pollo.net.au



H.265

H.265



WDR



AWB



Defog



HLC



BLC



Motion
Detection



PoE



IP67



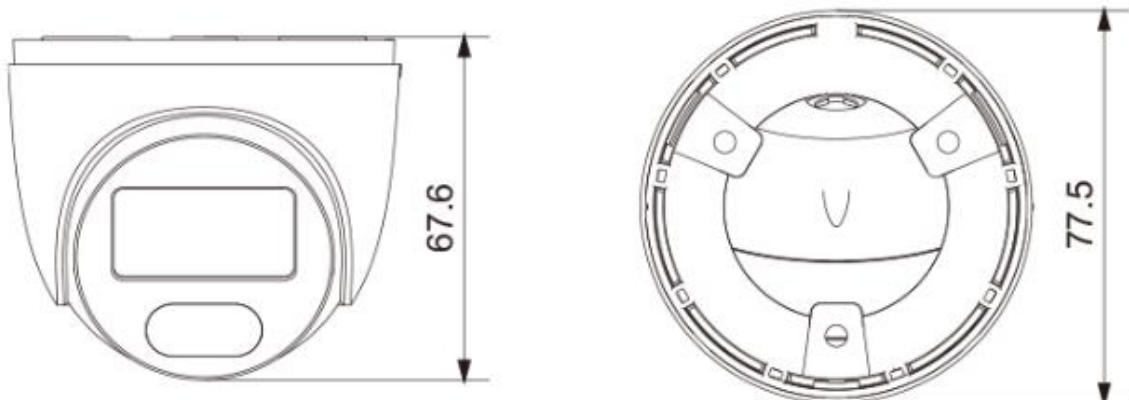
-30° ~ 60°

Key Features:

- ❖ H.265+ /H.265 /H.264+ /H.264/MJPEG coding
- ❖ Max. resolution: 4MP (2560 × 1440)
- ❖ Auto day/night switch
- ❖ 3D DNR, WDR, HLC, BLC, etc.
- ❖ ROI coding
- ❖ Support smart supplement light
- ❖ 20~30m white light view distance; 20~30m IR view distance
- ❖ DC12V/PoE power supply
- ❖ IP 67 ingress protection
- ❖ Support dual streams
- ❖ Support remote monitoring by smart phones& tablet PCs with iOS and Android OS
- ❖ Support line crossing detection & region intrusion detection
- ❖ Support SMD



Dimensions:



Specifications:



Model	PLC-434P-AU-DL3/PM
Image Sensor	1 / 3 "CMOS
Image Size	2560×1440
Electronic Shutter	1 / 3s ~ 1 / 100000s
Iris Type	Fixed Iris
Min. Illumination	0.09 lux @F2.2, AGC ON; 0 lux (Illuminator on)
Lens	2.8mm@F2.2, Horizontal FoV: 96°; Vertical FoV:53.7°; Diagonal FoV:112° 3.6mm@F2.2, Horizontal FoV:74.5°; Vertical FoV:41.5°; Diagonal FoV:86.5°
Focus	Fixed
Lens Mount	M12
Day & Night	ICR
Wide Dynamic Range	Digital WDR
BLC	Yes
HLC	Yes
Digital NR	Yes
S/N Ratio	≥50dB
Angle Adjustment	Pan: 0°~360°; Tilt:0°~75°; Rotation: 0°~360°
Video Compression	Main stream: H.265+ / H.265 / H.264 + / H.264 Sub stream: H.265+ / H.265 / H.264 + / H.264 / MJPEG
H.265 Compression Standard	Main Profile@Leve4.1 High Tier
Resolution	4MP (2560 × 1440), 3MP (2304 × 1296), 1080P (1920 × 1080), 720P (1280 × 720), D1, VGA (640× 480), 480× 240, CIF
Main Stream	4MP/ 3MP/1080P/720P (60Hz: 1~30fps; 50Hz: 1~25fps)
Sub Stream	D1/VGA/480× 240/CIF (60Hz: 1~30fps; 50Hz: 1~25fps)
Bit Rate	64 Kbps ~ 3 Mbps
Bit Rate Type	VBR / CBR
Audio Compression	G711A/U
Image Settings	ROI, Saturation, Brightness, Hue, Contrast, Wide Dynamic, Sharpness, Image Mirror, Image Flip, NR, etc. adjustable through client software or web browser
ROI	Each ROI to be configured separately
Network	RJ45
Video Output	No
Audio	1CH built-in MIC
Remote Monitoring	Web browser /POLLO NVR/PVMS Plus/Pollo Live Plus Mobile App
Web Browser	IE 11 (plug-in required)/Chrome 89.0+/Edge 89.0+/Firefox 87.0+/Safari 14.0+
Online Connection	Support simultaneous monitoring for up to 3 users; Support multi-stream real time transmission
Network Protocol	UDP, IPv4, IPv6, DHCP, NTP, RTSP, 802.1x, HTTP
Interface Protocol	ONVIF

Storage	Network remote storage
Motion Detection	Support smart motion detection; filtering motion alarm triggered by other target types except humans.
Smart Event	(Human) region intrusion detection, (human)line crossing detection
General Function	Watermark, video mask, heartbeat
Security	Video encryption, firmware encryption, configuration encryption, illegal login lock, IP address filtering, 802.1x authentication, basic and digest authentication for HTTP
PoE	Yes, IEEE802.3af
Supplement Light Range	IR range: 20 ~ 30 m; white light range:20 ~ 30 m
Ingress Protection	IP67
Power Supply	DC12V/PoE
Power Consumption	< 5W
Operating Environment	- 20 °C ~ 55 °C (-4°F~131°F); Humidity: less than 95 % (non-condensing)
Storage Environment	- 20 °C ~ 60°C (-4°F~140°F), Humidity: less than 95 % (non-condensing)
Dimensions (mm)	Φ 94.8 × 82.8
Weight (net)	Approx. 0.28KG
Installation	Ceiling mounting; Wall mounting
Certificate	CE, FCC
Environmental Protection	Complies with Directive EU RoHS, WEEE (2012/19/EU), directive 94/62/EC and REACH(EC1907/2006)