

pöllö 
Prime Series

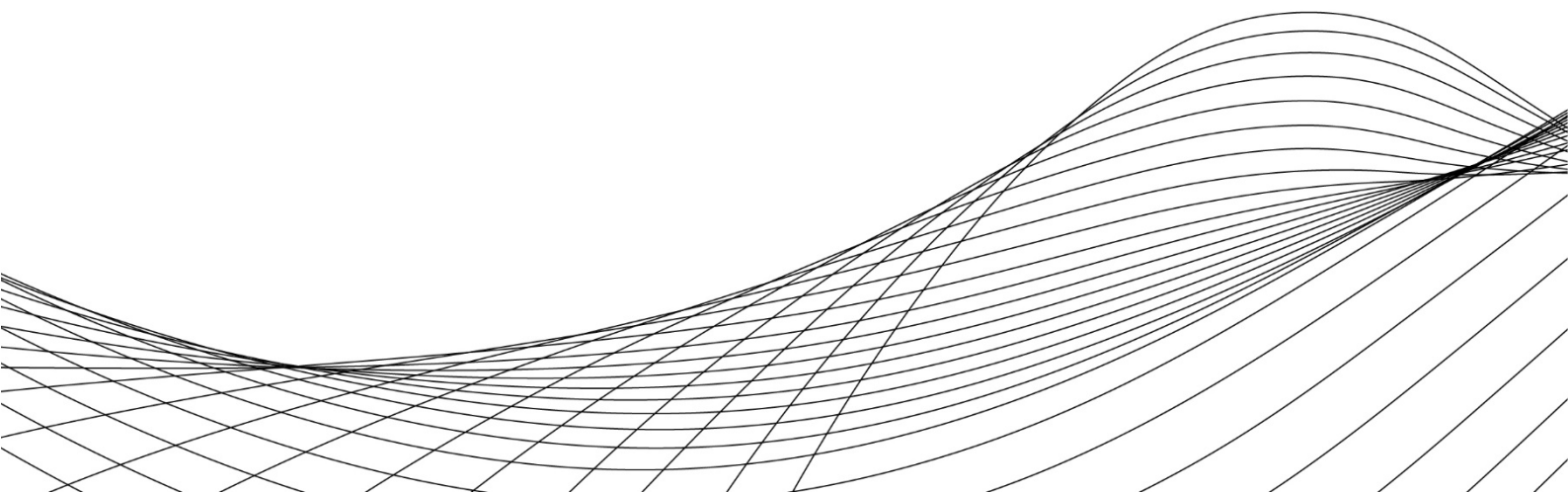


X-ray Baggage Scanner

PLG-8X030

www.pollo.net.au

info@pollo.net.au



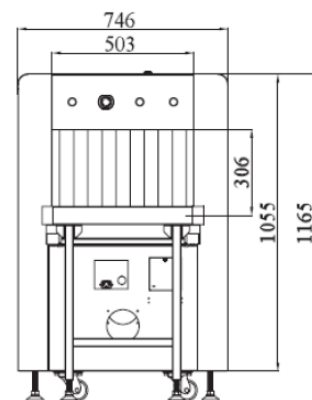
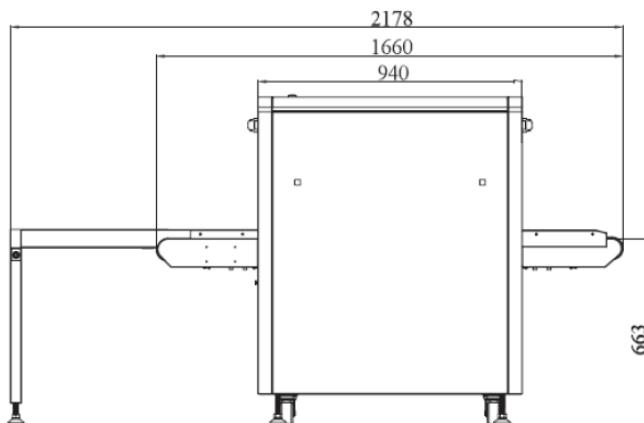
X-ray Baggage Scanner

PLG-8X030



Key Features:

- ✔ Multilingual Operation
- ✔ Automatic built in test and self diagnosis
- ✔ Secure access Key
- ✔ Threat alert and material classification
- ✔ Auto archiving
- ✔ Energy saving design
- ✔ One key turn off
- ✔ Drugs and explosives inspection
- ✔ Indication of the date and time
- ✔ Baggage Counter



Technical Specification

Model	PLG-8X030
Unit weight (kgs)	260
Unit size (mm)	1660(L)*746(W)*1165(H)
after packed in wooden pallet - Gross weight (kgs)	370
Packing size	179*87*137cm
Tunnel size(mm)	500(L)*300(W)
Conveyor Speed(m/s)	0.22
Conveyor height(mm)	663
Conveyor Max Load(kgs)	150KG
X ray dose per each inspection	≤3.5μGy
X ray leakage	<1μGy/h at any point 5 centimetres outside the external surface
Steel penetration	8 mm guaranteed
Wire Resolution	Dia 0.0787mm copper wire (AWG40) guaranteed
Penetration Resolution	Dia 0.202mm copper wire (AWG32) guaranteed
Spatial resolution:	Horizontal: Dia 1.0mm, Vertical: Dia 1.0mm
Power Consumption	max. 500W
Noise	<60 dB
Film Safety	Guarantee ASA/ISO1600 Film
Anode Voltage	80 KV
Tube Current	0.8 mA
Ray direction	Upward
Cooling / Duty Cycle	Sealed oil cooling /100%
X-ray Sensor	L-Shaped Photodiode Array, 12bit deep
Images process	24bit real time processing ,4colors analysis, Images displayed marked date and ID No., Count the number of bags
Image display	High resolution of 1920*1080 pixel; Image Grey Level: 65536
Image Enhancement	1-32 times enlargement continuity, Color/BW, negative, high/low penetration enhancement, brightening, darkening, gray level scan, super enhancement, elimination of organics/inorganics, local enhancement, pseudo color processing, edge enhancement, etc.
Explosives & Narcotics Detection	Suspicious organics highlight (atomic number Zeff=7,8,9)

Suspicious Alarm	Alarm and box line the suspicious objects including hard to penetrate material, explosives and drugs
Threat Image Projection (TIP)	Inserting fictional, but realistic images of threat items into baggage during screening operation, for maintenance of vigilance, as well as training and assessment of image identification capability
Image Recall	30 images recallable
Image Archive	Up to 10,000 images stored automatically, enable transferring to USB disk, and converting to JPG format
Miscellaneous Functions	Time/date display, counters, user management, system-on/X-ray-on timers, power on self-test, built-in diagnostic facilities, system log, system standby and stimulant training, etc.
Options	Dual-direction scanning, intelligent roller, etc.
Operation temperature/Humidity	0°C+40°C / 0%-90%(non-condensing)
Storage Temperature/Humidity	-20°Cto 60°C / 10%-90%(non-condensing)
Operation Power	220VAC (±10%) 50±3Hz (Options: 110-120V, 230-240V, 60Hz)
Stabilizer and UPS	Optional
Monitor	One 21.5-inch LCD monitor, 1920*1080, no console desk
RAM	1GB
Keyboard	Special designed
System	Embedded Linux operating system, multi core ARM, stable and reliable
Electric roller	Single-phase