

pöllö 
Prime Series

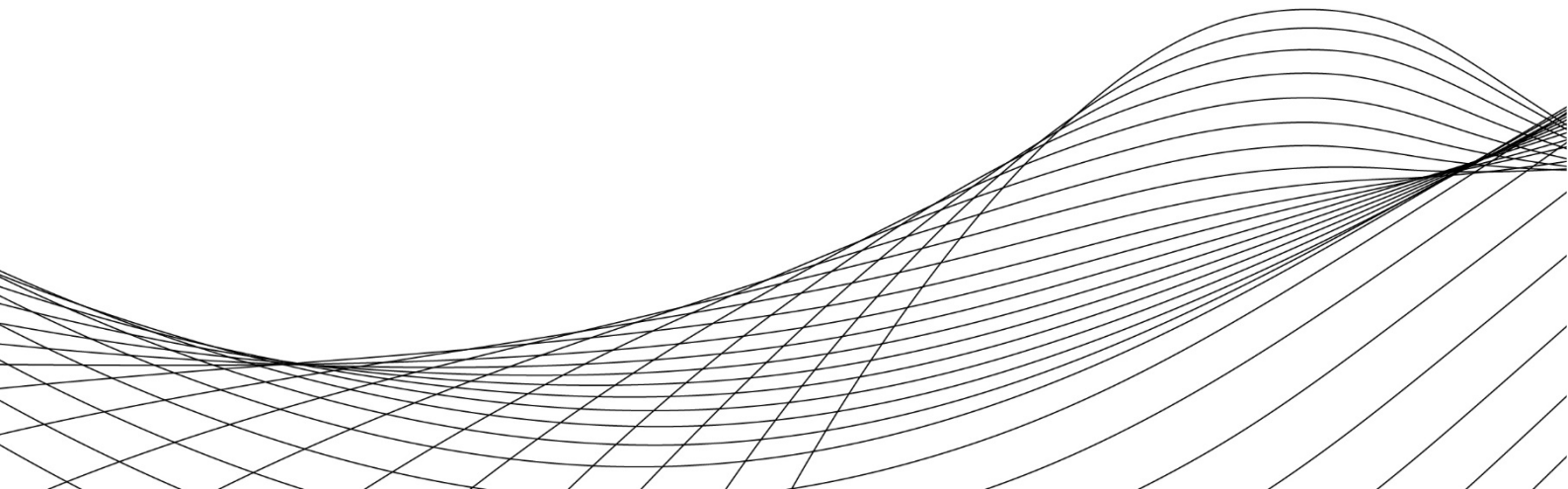
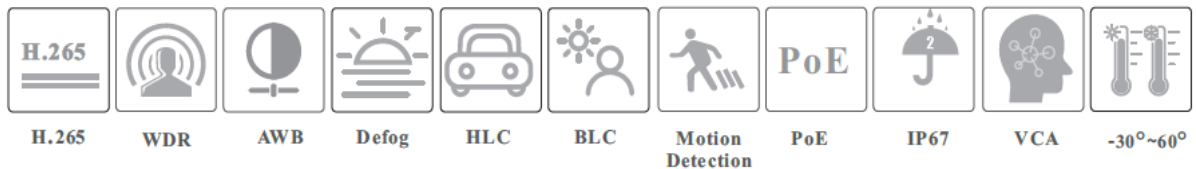


5MP IP Camera

PLC-425M-AU-IR8/PM

www.pollo.net.au

info@pollo.net.au

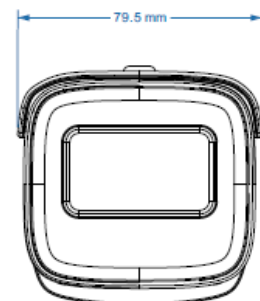
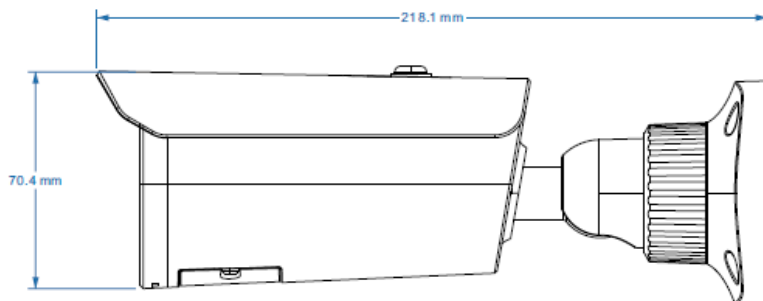


Key Features:

- ✔ 5MP (2592 × 1944) H.265 coding
- ✔ Max. resolution: MP (2592 × 1944)
- ✔ ICR auto switch, true day / night vision
- ✔ 3D DNR, digital WDR, HLC, BLC, defog
- ✔ ROI coding
- ✔ 50~80m IR night view distance
- ✔ Built-in micro-SD card slot, up to 128GB
- ✔ DC12V/PoE power supply
- ✔ P2P function optional
- ✔ IP 67 ingress protection
- ✔ Support three streams
- ✔ Support remote monitoring by smart phones& tablet PCs with iOS and Android OS
- ✔ Intelligent analytics: object removal detection, video exception detection, line crossing and intrusion detection.



Dimensions:





Specifications:

Model	PLC-425M-AU-IR8/PM
Image Sensor	1 / 2.7 " CMOS
Image Size	2592×1944
Electronic Shutter	1 s ~ 1 / 100000 s
Iris Type	Fixed Iris
Min. Illumination	0.0236 lux @F2.0, AGC ON; 0 lux with IR 0.0085 lux @ F1.2, AGC ON; 0 lux with IR
Lens	3.6 mm@F2.0
Field of View	horizontal FoV:79.4°; Vertical FoV: 63.8°; Diagonal FoV: 92°
Lens Mount	M12
Day & Night	ICR
Wide Dynamic Range	Digital WDR
BLC	Yes
HLC	Yes
Defog	Yes
Digital NR	3D DNR
Angle Adjustment	Pan: 0°~360°; Tilt:0°~90°; Rotation: 0°~360°
Video Compression	Smart H.265 / H.265+ / H.265 / Smart H.264 / H.264+ / H.264 / MJPEG
H.264 Compression Standard	Baseline Profile/Main Profile/High Profile
Resolution	5MP (2592 × 1944), 4MP (2592 × 1520), 2K (2560 × 1440), 3MP (2304 × 1296),1080P (1920 × 1080), 720P (1280 × 720), D1, CIF, 480 × 240
Main Stream	5MP/4MP/2K/3MP/1080P / 720P(60Hz : 1 ~ 30fps; 50Hz: 1~25fps) HFR mode: 1080P / 720P(60Hz : 1 ~ 60fps; 50Hz: 1~50fps)
Sub Stream	720P/D1/CIF/480x240 (60Hz : 1 ~ 30fps; 50Hz: 1~25fps)
Third Stream	D1/CIF/480x240 (60Hz : 1 ~ 30fps; 50Hz: 1~25fps)
Bit Rate	64 Kbps ~ 8 Mbps
Bit Rate Type	VBR / CBR
Audio Compression	G711A / U
Image Settings	ROI, Saturation, Brightness, Chroma, Contrast, Wide Dynamic, Sharpen, NR, etc. adjustable through client software or web browser
ROI	Each ROI to be configured separately
Network	RJ45
Video Output	No
Audio	1CH audio input
Storage	Built-in micro-SD card slot; up to 128GB
Reset	Yes
Remote Monitoring	Web browsing, CMS remote control
Online Connection	Support simultaneous monitoring for up to 10 users; Support multi-stream real time transmission

Network Protocol	UDP, IPv4, IPv6, DHCP, NTP, RTSP, RTP, RTCP, ICMP, IGMP, FTP, PPPoE, DDNS, SMTP, SNMP, HTTP, 802.1x, UPnP, HTTPs, QoS
Video Abnormality	Scene changes detection, video blur detection, video colour cast detection
Perimeter Detection	Line crossing detection (human/vehicle classification); Region intrusion/entrance/exiting detection (human/vehicle classification)
Sound Light Warning	Yes
Interface Protocol	ONVIF
Storage	Network remote storage; micro-SD card storage
Smart Alarm	Motion detection, SD card error, SD card full, IP address conflict, Cable connection
General Function	Watermark, IP address filtering, video mask, heartbeat, password protection, non-photosensitive switch, image distortion correction
PoE	Yes, IEEE802.3af
IR Distance	50 ~ 80 m
Ingress Protection	IP67
Power Supply	DC12V/PoE
Power Consumption	< 9W
Operating Environment	- 30 °C ~ 60°C (-22 °F~140°F) E42Humidity: less than 95 % non condensing
Dimensions (mm)	217.7 × 80.5 × 80.5
Weight (net)	Approx. 0.65KG
Installation	Ceiling mounting; Wall mounting
Certificate	CE, FCC
Environmental Protection	Complies with Directive EU RoHS, WEEE (2012/19/EU), directive 94/62/EC and REACH(EC1907/2006)