

pöllö 
Prime Series



4MP 60X PTZ

PLC-9460-AI-IR80/PM

www.pollo.net.au

info@pollo.net.au



Smart Tracking



Starlight



True WDR



VCA



3D DNR



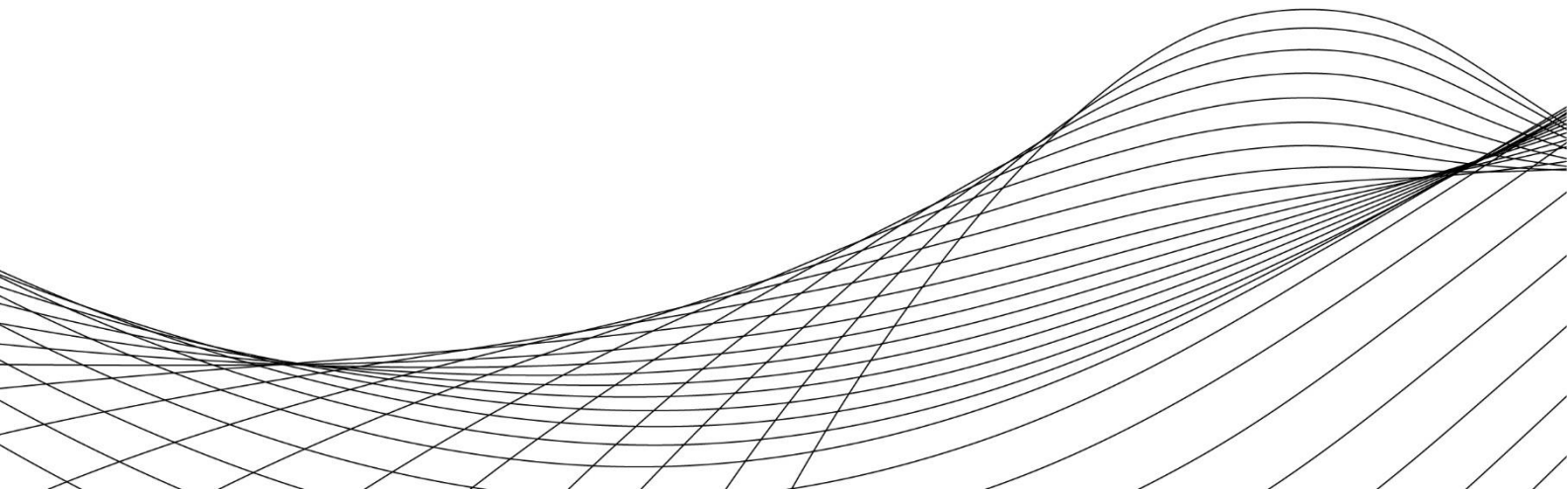
PoE++



IP67



H.265

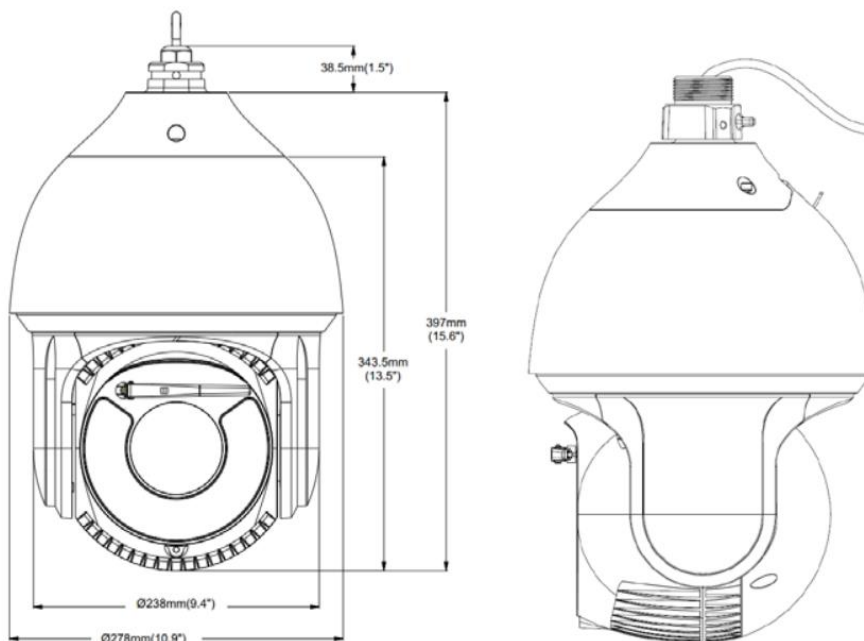


Key Features:

- ✔ 1/1.8" progressive scan CMOS
- ✔ Up to 4MP (2560×1440) resolution.
- ✔ Mini illumination:
- ✔ Color: 0.004lux @ (F1.4 AGC ON)
- ✔ B/W: 0.0008 lux@ (F1.4 AGC ON)
- ✔ 0 Lux with IR
- ✔ 60x ultra zoom lens
- ✔ 120 dB WDR, 3D DNR, Smart IR
- ✔ Up to 800m IR distance
- ✔ Smart H.265/H.264 video compression
- ✔ 2.0 Tops Deep-learning Engine
- ✔ Smart detection & tracking of human/vehicle,
- ✔ Structured information: gender, glass, shoes, etc
- ✔ Metal Body, IP67, -40°C~65°C, -40°C cold start
- ✔ PoE++ and DC/AC24V



Dimensions:



Specifications:

| | |
|-----------------------------|---|
| Model | PLC-9460-AI-IR80/PM |
| Image sensor | 1/1.8" progressive scan CMOS |
| Mini. Illumination | Color : 0.004Lux @ (F1.4, AGC ON) ; B/W : 0.0008 Lux @ (F1.4, AGC ON); 0Lux with IR |
| Image setting | Flip, Mirror, Saturation, Brightness, Contrast, Sharpness, AGC, and AWB adjusted by client software/browser |
| Shutter Speed | 1/1 s – 1/10,000 s |
| White Balance | Auto/Manual/Indoor/Outdoor |
| Gain | Auto/Manual |
| Day & Night | IR Cut filter |
| Digital Zoom | 16x |
| Privacy Mask | 4 Programmable privacy masks |
| 3D DNR | Auto/Manual |
| BLC | Yes |
| HLC | Yes |
| WDR | 120 dB |
| Defog | Electronic |
| Picture overlay | Logo picture could be overlaid on video with 128x128pixels,24bits BMP format |
| Focus length | f=6~360 mm lens,60x optical |
| Zoom Speed | Approx. 9s (optical zoom, wide-tele) |
| Field of View | Horizontal: 65.3° to 1.7°(wide-tele); Vertical: 38.6° to 1.0°(wide-tele); Diagonal: 2.9° to 2.0°(wide-tele) |
| Working distance | wide: 1.0m ~ INF; tele: 1.5m ~ INF |
| Aperture Range | F1.4 ~ F4.2 (wide-tele), P-Iris, 64 F-Stops |
| Pan Range | 360°endless |
| Pan speed | Configurable, from 0.1~180°/s; Pre-set speed: 180°/s |
| Tilt Range | From -20° to 180° (auto-flip at 90°) |
| Tilt Speed | Configurable, from 0.1~ 150°/s, Pre-set speed: 150°/s |
| Proportional Zoom | Yes |
| Pre-set | 300 |
| Cruise | 8 cruises, up to 16 pre-sets for each cruise |
| Track | 4 tracks, record time over 3 minutes for each track |
| Power off memory | Support |
| Action mode | Pre-set/Cruise/Track/Auto Scan/Random Scan |
| 3D Positioning | Support |
| PTZ Position Display | Support |
| Schedule Task | Pre-set/Cruise/Track/Random Scan/Boundary Scanning /Dome reboot |
| IR Distance | 800m distance, 5groups of 18 IR LED Arrays |
| Smart IR | Yes |
| Max Resolution | 2560×1440 |
| Main stream | 2560×1440,2048×1536,1920×1080,1280×720 (25/30fps) |
| Sub stream | 25fps (704 × 576, 640 × 480, 352 × 288); 30fps (704 × 480, 640 × 480, 352 × 240) |

| | |
|--|---|
| Third Stream | 25fps (1920 × 1080, 1280 × 960, 1280 × 720, 704 × 576, 640 × 480, 352 × 288) 30fps (1920 × 1080, 1280 × 960, 1280 × 720, 704 × 480, 640 × 480, 352 × 240) |
| SVC | Yes |
| Video compression | Smart H.265/H.264/MJPEG |
| Audio compression | G.711 A/U |
| Protocols | HTTP, HTTPS, IPv4/IPv6, 802.1x, QoS, FTP, SMTP, UPnP, SNMP, DNS, DDNS, NTP, RTSP, RTCP, RTP, TCP/IP, UDP, IGMP, ICMP, DHCP, PPPoE |
| Simultaneous live view | Up to 6 channels |
| User / Host | Up to 16 users, 3 levels: Administrator, Advanced User and Normal User |
| Security Measures | User authentication (ID and PW), Host authentication (MAC address); HTTPS encryption, IEEE802.1x port-based network access control; IP address filtering |
| Basic event | Motion detection, video tampering alarm, exception (network disconnected, IP address conflict, SD full, SD error) |
| Face recognize /compare | Default off, Max 60 human faces per second. Support click and capture(Next version) |
| People density / LPR/Structured video | Not support by this software version. |
| Smart Detection | Intrusion detection, Line crossing detection, Region entrance/exiting detection, Unattended baggage detection, Object removal detection, Scene change detection, Support alarm triggering by human or vehicle, filtering flag/animal. |
| Smart Tracking | Auto Tracking (human or vehicle); Click and Tracking on human/vehicle (Next version) |
| Alarm Interface | 7CH alarm input; 2CH alarm output |
| Audio Interface | 1CH audio input, 2 to 2.4v[p-p] 1KΩ ±10%; 1CH audio output (line out), impedance: 600Ω |
| Alarm Linkage | Alarm actions, such as Pre-set, Cruise, Track, Memory Card Video Record, Trigger Recording, Notify Surveillance Center, Upload to FTP/Memory Card, Send Email, etc. |
| Network Interface | 1 RJ45 10M/100M Adaptive Ethernet (Support PoE 802.3.bt, class 7) |
| CVBS | Yes, 1 BNC connector |
| RS 485 | Pelco-D / P protocol, custom protocols available |
| Storage | One Memory card slot, support microSD/SDHC/SDXC, up to 256G |
| API | ONVIF, support POLLO SDK and third-party management platform |
| Client | PVMS Plus and the third-party client |
| Web Browser | IE (8-11); Firefox (ver44 and early); Chrome (ver76 and early); Not support Safari |
| Power | AC24V, DC24V, PoE++ (802.3.bt, class 7), (Max 50W, include IR on, Heater on, Fan working) |
| Working condition | -40°C ~ 65°C (-40°F ~ 149°F),90%RH less (non-condensing), Cold start at - 40°C |
| Storage condition | -40°C ~ 70°C; ≤95% RH |
| Protection | IP67, IK10,6000V Lightning Protection, Surge Protection and Voltage Transient Protection |
| Material | Aluminium Alloy |
| Dimensions | Φ 278mm× H 435mm (Φ 10.94" × 17.12") |
| Weight | Approx. 9 Kg (19.84 lb.) |
| Certification | IP67, IK10, ROHS, CE, FC |