



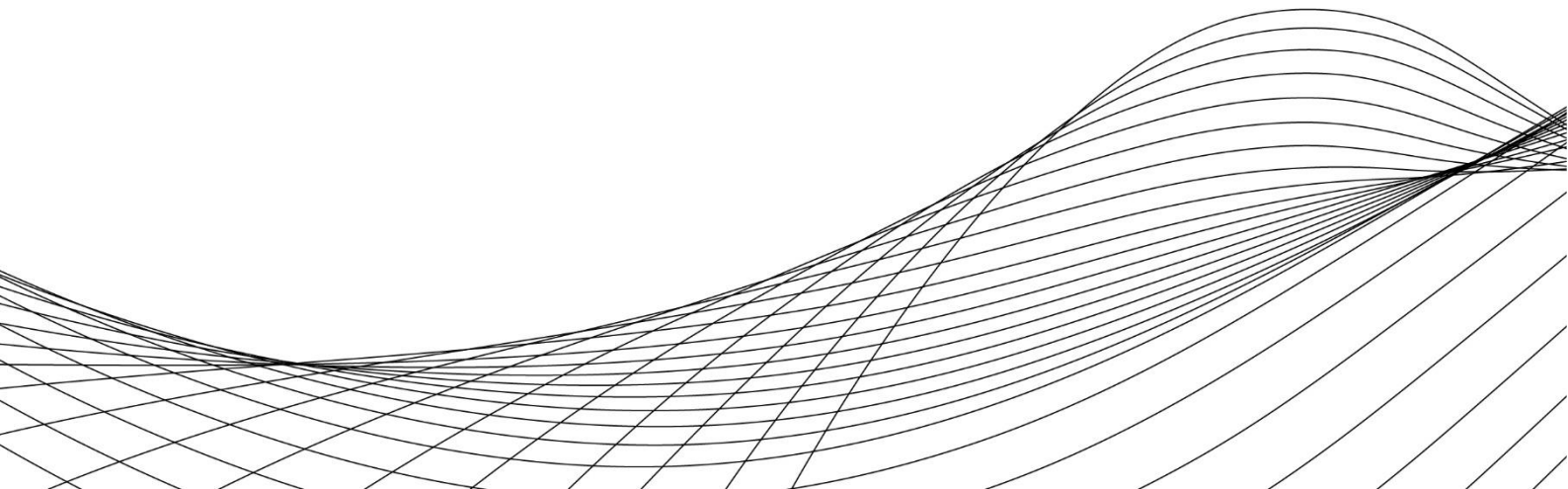
4MP IP Motorized Camera

PLC-424M-MZ-IR5/PM

www.pollo.net.au

info@pollo.net.au

- | | | | | | | | | | | | |
|-------|-----------|-----|-----|-------|-----|-----|------------------|-----|------|-----|-----------|
| | | | | | | | | | | | |
| H.265 | Day&Night | WDR | AWB | Defog | HLC | BLC | Motion Detection | PoE | IP67 | VCA | -30° ~60° |

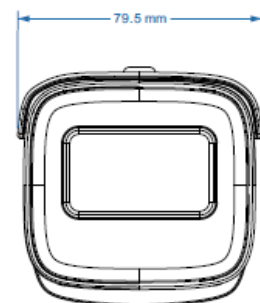
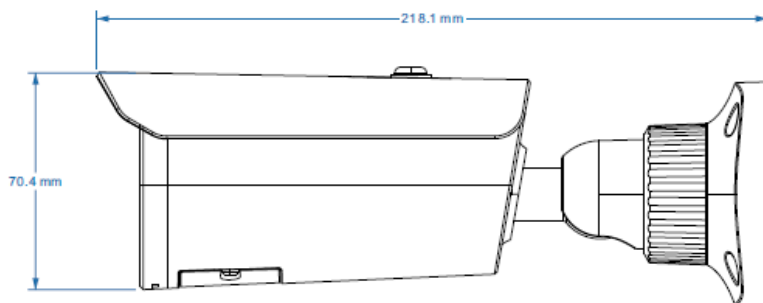




Key Features:

- ✔ H.265+/H.264+ coding
- ✔ 4MP (2560 × 1440)
- ✔ ICR auto switch, true day / night vision.
- ✔ 30 ~ 50m IR night view distance.
- ✔ 3D DNR, true WDR, HLC, BLC, Defog, NIR, Smart IR and ROI coding.
- ✔ Support image distortion correction.
- ✔ 1CH audio input
- ✔ Built-in micro-SD card slot, up to 128GB.
- ✔ DC12V/PoE power supply.
- ✔ IP 67 ingress protection.
- ✔ Support three streams.
- ✔ P2P function optional.
- ✔ Support remote monitoring by smart phones & tablet PCs with iOS and Android OS.
- ✔ Intelligent analytics.

Dimensions:





Specifications:

Model	PLC-424M-MZ-IR5/PM
Image Sensor	1 / 3 "CMOS
Image Size	2592 × 1520
Electronic Shutter	1/3 s ~ 1 / 10000 s
Iris Type	DC Iris
Min. Illumination	0.005 lux@F1.6, AGC ON;0 lux with IR
Lens	2.8~12mm@F1.4, H.FoV: 93°~31.8°; V.Fov: 53°~19°; D.FoV: 108°~36°
Focus	Motorized
Lens Mount	Φ14
Day & Night	ICR
Wide Dynamic Range	120dB
BLC	Yes
HLC	Yes
Defog	Yes
Digital NR	3D DNR
Angle Adjustment	Pan: 0°~360°; Tilt:0°~90°; Rotation: 0°~360°
Video Compression	Main stream: Smart H.265 / H.265+ / H.265 / Smart H.264 / H.264+ / H.264 Sub stream: H.265+ / H.265 / H.264+ / H.264 / MJPEG Third stream: H.265+ / H.265 / H.264+ / H.264 / MJPEG
H.264 Compression Standard	Baseline Profile/Main Profile/High Profile
Resolution	4MP (2592 × 1520), 2K (2560 × 1440), 3MP (2304 × 1296), 1080P (1920 × 1080), 720P (1280 × 720), D1, CIF, 480 × 240
Main Stream	4MP/2K/3MP/1080P / 720P (60Hz: 1 ~ 30fps; 50Hz: 1~25fps) HFR mode: 1080P / 720P (60Hz: 1 ~ 60fps; 50Hz: 1~50fps)
Sub Stream	720P/D1/CIF/480×240(60Hz: 1 ~ 30fps; 50Hz: 1~25fps)
Third Stream	D1/CIF/480×240 (60Hz: 1 ~ 30fps; 50Hz: 1~25fps)
Bit Rate	64 Kbps ~ 8 Mbps
Bit Rate Type	VBR / CBR
Audio Compression	G711A / U
Image Settings	ROI, Saturation, Brightness, Hue, Contrast, Wide Dynamic, Sharpness, Image Mirror, Image Flip, NR, etc. adjustable through client software or web browser
ROI	Each ROI to be configured separately
Network	RJ 45
Video Output	No
Audio	1CH audio input
Storage	Built-in micro-SD card slot; up to 128GB

Reset	Yes
Alarm	No
Perimeter Protection	Line crossing, region entrance/exiting/intrusion (human/motor vehicle/ non-motor vehicle classification)
Statistics	Target counting by line/area, heat map
Exception Detection	Scene change, video blur and video cast detection
Face Detection	Face detection and face capture
Other Events	Abandoned/missing object detection
Remote Monitoring	Web Browser/TVT NVMS2.0/NVR/mobile APP
Web Browser	IE (plug-in required)/Google Chrome/Edge/Firefox/Safari
Online Connection	Support simultaneous monitoring for up to 10 users; Support multi-stream real time transmission
Network Protocol	UDP, IPv4, IPv6, DHCP, NTP, RTSP, RTP, RTMP, RTCP, PPPoE, DDNS, SMTP, FTP, SNMP, HTTP, 802.1x, UPnP, HTTPS, HTTP POST, QoS
Interface Protocol	ONVIF
Storage	Network remote storage; micro-SD card storage
Smart Alarm	Motion detection, SD card error, SD card full
General Function	Watermark, IP address filtering, video mask, heartbeat, password protection, image distortion correction, corridor pattern
PoE	Yes, IEEE802.3af
IR Distance	30 ~50 m
Ingress Protection	IP67
Power Supply	DC12V/PoE
Power Consumption	< 9.5W
Storage Conditions	- 30 °C ~ 65°C (-22°F~149°F), Humidity: less than 95 % (non-condensing)
Operating Conditions	- 30 °C ~ 60 °C (-22°F~140°F), Humidity: less than 95 % (non-condensing)
Dimensions (mm)	217.8 × 80.5 × 80.3
Weight (net)	Approx. 0.69KG
Installation	Ceiling mounting; Wall mounting
Certificate	CE, FCC
Environmental Protection	Directive EU RoHS, WEEE (2012/19/EU), directive 94/62/EC and REACH(EC1907/2006)