

pöllö   
**Prime Series**

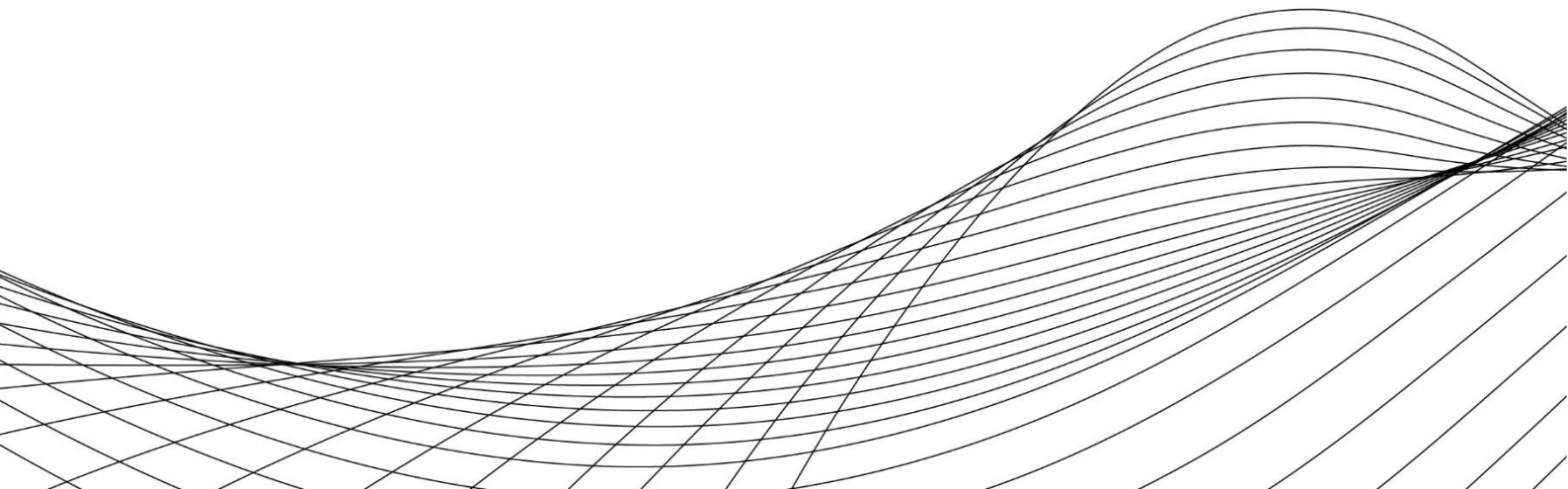
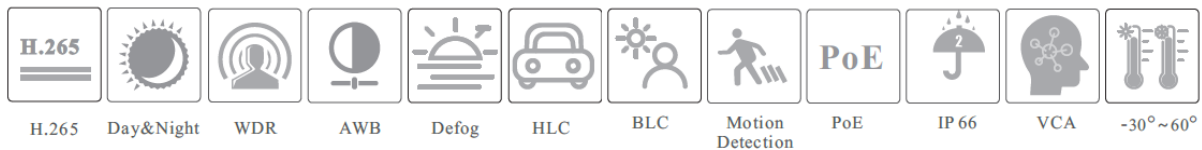


**4MP AI IP CAMERA**

**PLC-424M-AD-IR5/PM**

[www.pollo.net.au](http://www.pollo.net.au)

[info@pollo.net.au](mailto:info@pollo.net.au)

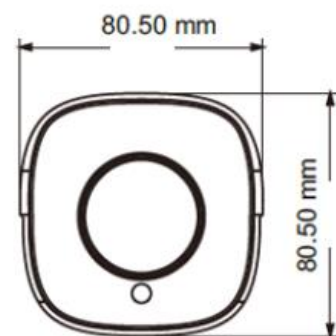
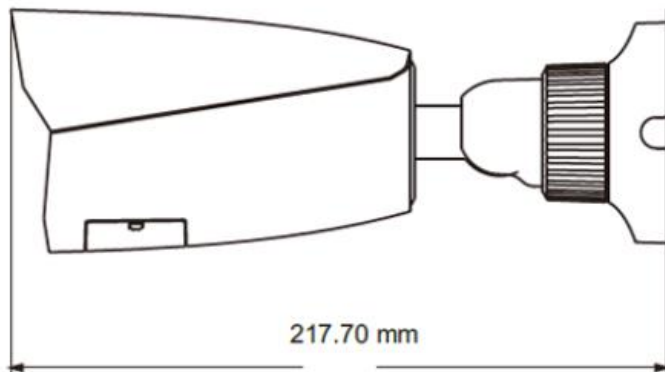




## Key Features:

- ✔ 5MP (2592 × 1944) H.265 coding
- ✔ Max. resolution: MP (2592 × 1944)
- ✔ ICR auto switch, true day / night vision
- ✔ 3D DNR, digital WDR, HLC, BLC, defog
- ✔ ROI coding
- ✔ 30~50m IR night view distance
- ✔ Built-in micro-SD card slot, up to 128GB
- ✔ DC12V/PoE power supply
- ✔ P2P function optional
- ✔ IP 67 ingress protection
- ✔ Support three streams
- ✔ Support remote monitoring by smart phones& tablet PCs with iOS and Android OS
- ✔ Intelligent analytics: object removal detection, video exception detection, line crossing and intrusion detection.

## Dimensions:



## Specifications:

<b>Model</b>	<b>PLC-424M-AD-IR5/PM</b>
<b>Image Sensor</b>	1 / 3" CMOS
<b>Image Size</b>	2592 × 1520
<b>Electronic Shutter</b>	1 s ~ 1 / 100000 s
<b>Iris Type</b>	Fixed Iris
<b>Min. Illumination</b>	0.005lux@F1.6, AGC ON; 0 lux with IR
<b>Lens</b>	2.8 mm@F1.6, H.FoV: 100.4°; V.FoV:68°; D.FoV:108°; 3.6 mm@F1.6,H.FoV: 80.6°; V.FoV: 50.6°; D.FoV:88°
<b>Focus</b>	Fixed
<b>Lens Mount</b>	M12
<b>Wide Dynamic Range</b>	120dB
<b>BLC</b>	Yes
<b>HLC</b>	Yes
<b>Defog</b>	Yes
<b>Digital NR</b>	3D DNR
<b>Angle Adjustment</b>	Pan: 0°~360°; Tilt:0°~90°; Rotation: 0°~360°
<b>Video Compression</b>	H.265+ / H.265 / H.264+ / H.264 / MJPEG
<b>H.264 Compression Standard</b>	Baseline Profile/Main Profile/High Profile
<b>Resolution</b>	4MP (2592 × 1520), 2K (2560 × 1440), 3MP (2304 × 1296),1080P (1920 × 1080), 720P (1280 × 720), D1, CIF, 480 × 240
<b>Main Stream</b>	4MP/2K/3MP/1080P / 720P (60Hz: 1 ~ 30fps; 50Hz: 1~25fps) HFR mode: 1080P / 720P (60Hz: 1 ~ 60fps; 50Hz: 1~50fps)
<b>Sub Stream</b>	720P/D1/CIF (60Hz: 1 ~ 30fps; 50Hz: 1~25fps)
<b>Third Stream</b>	D1/CIF/480×240 (60Hz: 1 ~ 30fps; 50Hz: 1~25fps)
<b>Bit Rate</b>	64 Kbps ~ 8 Mbps
<b>Bit Rate Type</b>	VBR / CBR
<b>Audio Compression</b>	G711A / U
<b>Image Settings</b>	ROI, Saturation, Brightness, Hue, Contrast, Wide Dynamic, Sharpness, NR, etc. adjustable through client software or web browser
<b>ROI</b>	Each ROI to be configured separately
<b>Network</b>	RJ 45
<b>Video Output</b>	No
<b>Audio</b>	1CH audio input; 1CH built-in speaker
<b>Alarm</b>	1CH alarm input; 1CH alarm output
<b>Storage</b>	Built-in micro-SD card slot; up to 256GB
<b>Reset</b>	Yes
<b>Remote Monitoring</b>	Web Client/NVR/Mobile APP

<b>Online Connection</b>	Support simultaneous monitoring for up to 10 users; Support multi-stream real time transmission
<b>Network Protocol</b>	UDP, IPv4, IPv6, DHCP, NTP, RTSP, RTP, RTCP, PPPoE, DDNS, SMTP, FTP, SNMP, HTTP, 802.1x, UPnP, HTTPs, QoS
<b>Interface Protocol</b>	ONVIF
<b>Storage</b>	Network remote storage; micro-SD card storage
<b>Smart Alarm</b>	Motion detection, sensor alarm, SD card error, SD card full, IP address conflict, Cable connection
<b>General function</b>	Watermark, IP address filtering, video mask, heartbeat, password protection, image distortion correction
<b>PoE</b>	Yes, IEEE802.3af
<b>IR Distance</b>	30 ~ 50 m
<b>Protection Grade</b>	IP66
<b>Video Abnormality</b>	Scene changes detection, video blur detection, video cast detection
<b>Perimeter Detection</b>	Line crossing detection (human/vehicle classification); Region intrusion/ entrance/exiting detection (human/vehicle classification)
<b>Sound &amp; Light Warning</b>	Yes
<b>Power Supply</b>	DC12V/PoE
<b>Power Consumption</b>	< 12.5W
<b>Operating Environment</b>	- 30 °C ~ 60 °C (-22°F~140°F) Humidity: less than 95 % (non-condensing)
<b>Dimensions (mm)</b>	217.8 × 80.5 × 80.3
<b>Weight (net)</b>	Approx. 0.694KG
<b>Installation</b>	Ceiling mounting; Wall mounting
<b>Certificate</b>	CE, FCC
<b>Environmental Protection</b>	Complies with Directive EU RoHS, WEEE(2012/19/EU) , directive 94/62/EC and REACH(EC1907/2006)