



10/1000 Mbps

6 Port PoE

PLN-1104GB-SFP



Pollo Pty Ltd.

Address: Suite 401, 55 Phillips St. Parramatta, NSW 2150

Phone: 1300 6600 368

Email: info@pollo.net.au

Website: www.pollo.net.au



10/1000 Mbps

6 Port PoE

PLN-1104GB-SFP



Overview:

The **PLN-1104GB-SFP** is a full gigabit PoE fiber switch. It has 5*10/100/1000M RJ45 ports and 1*1000M SFP slot port. Port 1-4 can support IEEE802.3af/at standard PoE. single port PoE power reaches 30W, and the maximum PoE output power is 65W (at-110W). As a PoE power supply device, it can automatically detect and recognize the power receiving equipment that meets the standard and supply power through the network cable. It can supply power to POE terminal equipment such as wireless AP, webcam, VoIP, visual intelligent building intercom through network cable, and meet the network environment that needs high-density PoE power supply. It is suitable for hotel, campus, factory dormitory and small and medium-sized enterprises. Unmanaged model, plug and play, no configuration, easy to use.

FEATURES:

Full gigabit access, gigabit TP/SFP port uplink

- ✔ All series supports "gigabit Ethernet port and gigabit SFP fiber port " combination, which enables users to flexibly build networking to meet the needs of various scenarios.
- ✔ Support non-blocking wire-speed forwarding.
- ✔ Support full-duplex based on IEEE802.3x and half-duplex based on backpressure.

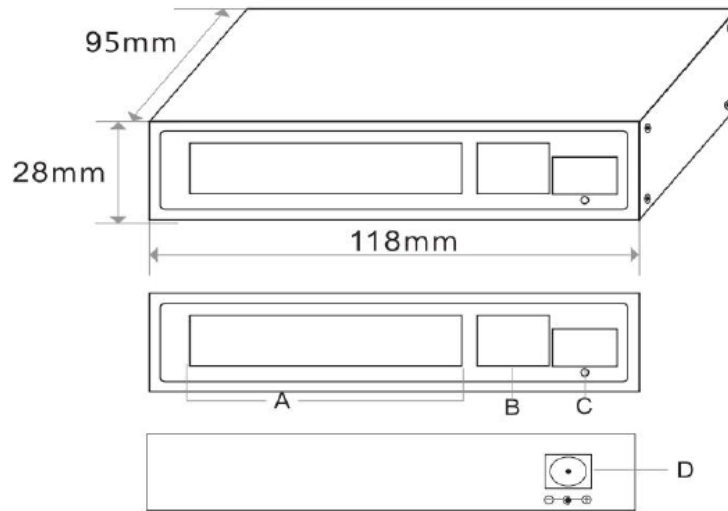
Intelligent PoE power supply

- ✔ 4*10/100/1000Base-T RJ45 ports, meeting the needs of security monitoring, teleconferencing system, wireless coverage, and other scenarios.
- ✔ IEEE802.3af/at PoE standard, without damaging non-PoE devices.
- ✔ Priority system for PoE port, it will supply power to the high priority level port first when the power budget is insufficient and avoid overwork of the device.

Stable and reliable, easy to use

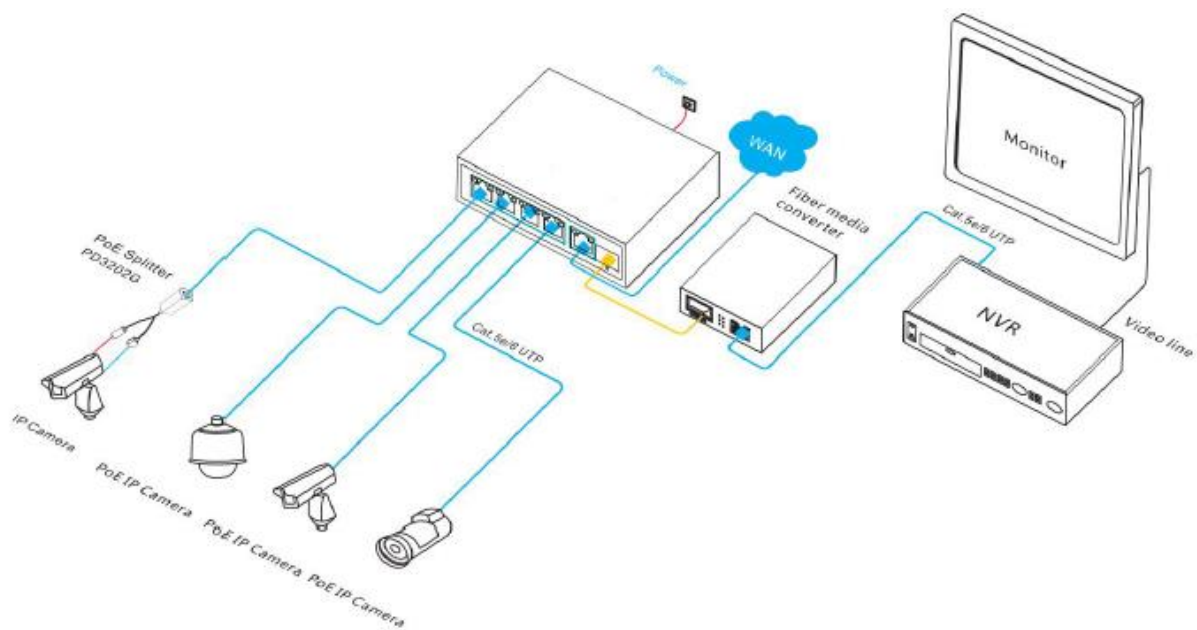
- ✔ CCC, CE, FCC, RoHS.
- ✔ Plug and play, no configuration, simple and convenient.
- ✔ Low power consumption, galvanized steel casing, no fan.
- ✔ The user-friendly panel, it can show the device status through the LED indicator of PWR, Link/Act, PoE.
- ✔ Self-developed power supply, high redundancy design, providing a long term and stable PoE power output.

DIMENSION



- A. 4*10/100/1000M PoE Ports
- B. 1*10/100/1000M Uplink Port
- C. 1*1000M Uplink SFP Port
- D. Power Input Port DC48-57V

APPLICATION



TECHNICAL SPECIFICATION

Model	PLN-1104GB-SFP
Fixed Port	4*10/100/1000Base-T PoE ports (Data/Power) 1*10/100/1000Base-T uplink RJ45 port (Data) 1*1000Base-X SFP fiber port slots (Data)
Ethernet Port	Port 1-5 can support 10/100/1000Base-T auto-sensing, full/half duplex MDI/MDI-X
Twisted Pair Transmission	10BASE-T: Cat3,4,5 UTP (≤100 meter) 100BASE-TX: Cat5 or later UTP (≤100 meter) 1000BASE-T: Cat5e or later UTP (≤100 meter)
SFP Slot Port	Gigabit SFP optical fiber port, default matching optical modules (optional order single-mode / multi-mode, single fiber / dual fiber optical module. LC)
Optical Cable/ Distance	Multi-mode: 850nm/0 ~ 550M, Single-mode: 1310nm/ 0 ~ 40KM, 1550nm/ 0 ~ 120KM.
Network Protocol	IEEE802.3 10BASE-T, IEEE802.3i 10Base-T IEEE802.3u 100Base-TX, IEEE802.3ab 1000Base-T IEEE802.3z 1000Base-X, IEEE802.3x
Forwarding Mode	Store and Forward (Full Wire Speed)
Switching Capacity	12Gbps
Forwarding Rate@64byte	8.93Mpps
MAC	2K
Buffer Memory	2M
LED Indicator	Power: PWR (green), network: Link(yellow), POE: PoE (green)
Reset Switch	Yes, One-button factory reset
PoE Port	Port 1 to 4 IEEE802.3af/at @ POE
Power Supply Pin	Default 1/2 (+), 3/6 (-), optional 4/5 (+), 7/8 (-)
Max Power Per Port	30W; IEEE802.3af/at
Total PWR / Input Voltage	65W/(DC52V)
Power Consumption	Standby<5W, Full load<65W
Power Supply	External power adapter, AC100~240V 50-60Hz 1.1A
Operation TEMP / Humidity	-20~+55°C;5%~90% RH Non condensing
Storage TEMP / Humidity	-40~+75°C;5%~95% RH Non condensing
Dimension (L*W*H)	118*95*28mm
Net /Gross Weight	<0.35kg / <1.0kg
Installation	Desktop, wall-mounted
Lightning protection / protection level	Lightning protection: 4KV 8/20us; Protection level: IP30
Certification	CCC, CE mark, commercial, CE/LVD EN60950, FCC Part 15 Class B RoHS