

pöllö   
*Prime Series*



**X-ray Baggage Scanner**

**PLG-15x550**

[www.pollo.net.au](http://www.pollo.net.au)

[info@pollo.net.au](mailto:info@pollo.net.au)

# X-ray Baggage Scanner

## PLG-15x550

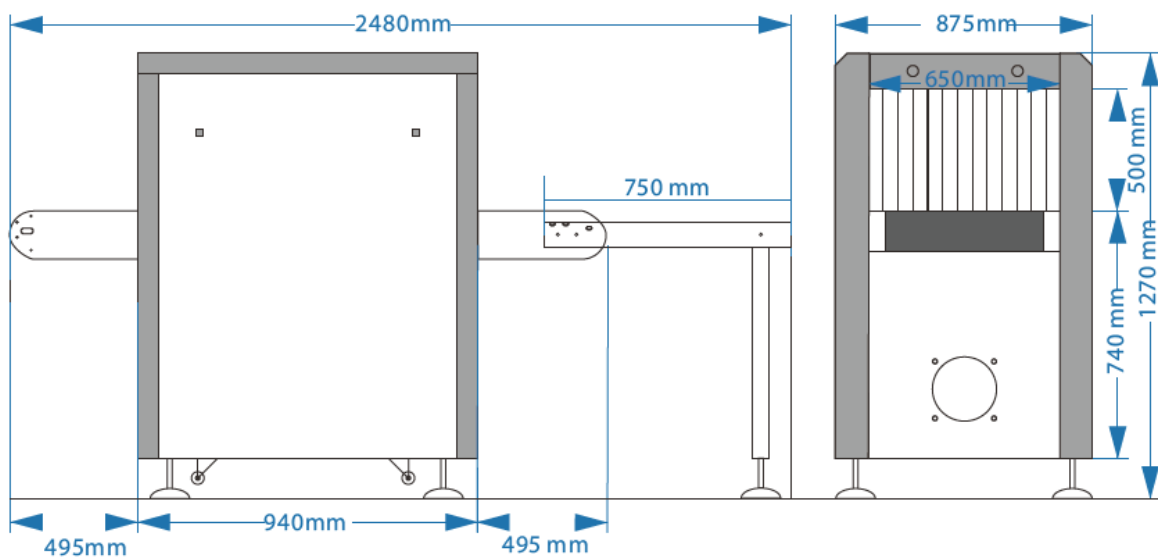


### Single Generator Dual Energy

**Explosives, Weapons and Contraband**, best-selling scanner lighter and shorter, it packs all the speed, power and detection capability into a sub-compact design. Sized for scanning mail, hand carried bags, personal items, clothing and shoes. It meets the throughput demands of high-traffic settings. An intuitive and simple operator interface makes this unit suitable for both security professionals and non-technical personnel.



- Applications:
- Mail scanning
  - Executive offices
  - Private security
  - VIP diplomatic security
  - Public places security
  - High-risk event security



## Technical Specification

<b>Model</b>	<b>PLG-15x550</b>
<b>Tunnel size</b>	650(W) x 500(H) mm.
<b>Product dimensions</b>	2480mm(L)x875mm(W)x1270mm(H).
<b>Wooden package dimensions</b>	2240mm(L)x960mm(W)x1400mm(H).
<b>Net weight</b>	450 kg.
<b>Gross weight</b>	500kg.
<b>Working temperature</b>	(-20) °C~ (+60) °C/Humidity 5% to 95%, non-condensing.
<b>Storage temperature</b>	(-30) °C~ (+70)°C/Humidity 5% to 95%, non-condensing.
<b>Power supply</b>	110~240VAC (-10%~ +20%),50/60±3Hz.
<b>Power consumption</b>	< 0.5 kw/h.
<b>X-ray tube head</b>	Self-contained.
<b>Tube voltage rating</b>	100kV(default), can be tailor-made based on requirement. Tube current: 0.2~0.6mA. Cooling/working period: 100% with sealed oil bath cooling.
<b>Beam direction</b>	Diagonal from bottom (60°beam divergence).
<b>X-ray leakage dose</b>	Less than 0.35 μGy / h (5cm distance from any position of the machine).
<b>Single scanning x-ray leakage dose</b>	Less than 1 μGy / h.
<b>High X-ray leakage protection</b>	Two levels lead curtains to reduce the leakage and protect operators.
<b>Steel penetration</b>	15 mm typical (Can be customized).
<b>Conveyor speed</b>	Approx. 0.22m/s.
<b>Conveyor height</b>	740mm (including the support tray).
<b>Wire Resolution</b>	38 AWG wire,40 AWG (0.0787 mm) typical.
<b>Space Resolution</b>	Horizontal Φ 1.0mm; vertical Φ 1.0 mm.
<b>Noise</b>	<56dB.
<b>Max. Load Weight</b>	180 kg (397 lbs).
<b>Film Safety</b>	Guaranteed for high-speed film up to ISO 1600 (33 DIN).
<b>The array detector</b>	L-type photo-diode single energy detector.

<b>Video</b>	19-inch colour LCD monitor, pixel 1280 x 1024 video card.
<b>Auto Soft operating system</b>	Win 7 English version.
<b>Standard Functions</b>	High & Low penetration/Super penetration/Organic& in-organic image/local & edge enhancement/zoom in & zoom out/Image resolution/Image storage/ Image management/Black & white image/Gray image/Belt forward & reversal/Marks.
	Time & date/Power on indicator/Self diagnostic function/System log/Baggage counts/TIP function/User management.
<b>Image storage</b>	100,000 images can be stored and process continuously.
<b>Pull back/forward</b>	30 images to process.
<b>64x smart zoom</b>	Adjustable zoom preview window.
<b>Alarm function</b>	Liquid and high-density substances will give audio & indicator alarm with a red frame.
<b>Networking function</b>	Can be connected to a dedicated virtual LAN configured tested by the assigned communications subcontractor.
<b>Images output</b>	Images can be put out with USB interfaces.
<b>Options</b>	BI-direction(two-direction) scanning. Customized roller shelf. Customized software language (Basic is English). Normal keyboard and industrial keyboard optional. Double layer wooden packages.