

pöllö 
Prime Series

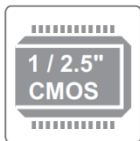


5MP FHD MOTORIZED CAMERA

PLC-335M-MZK-IR3/PM

www.pollo.net.au

info@pollo.net.au



Sensor



Min.
illumination



BLC



Day&Night



Auto WB



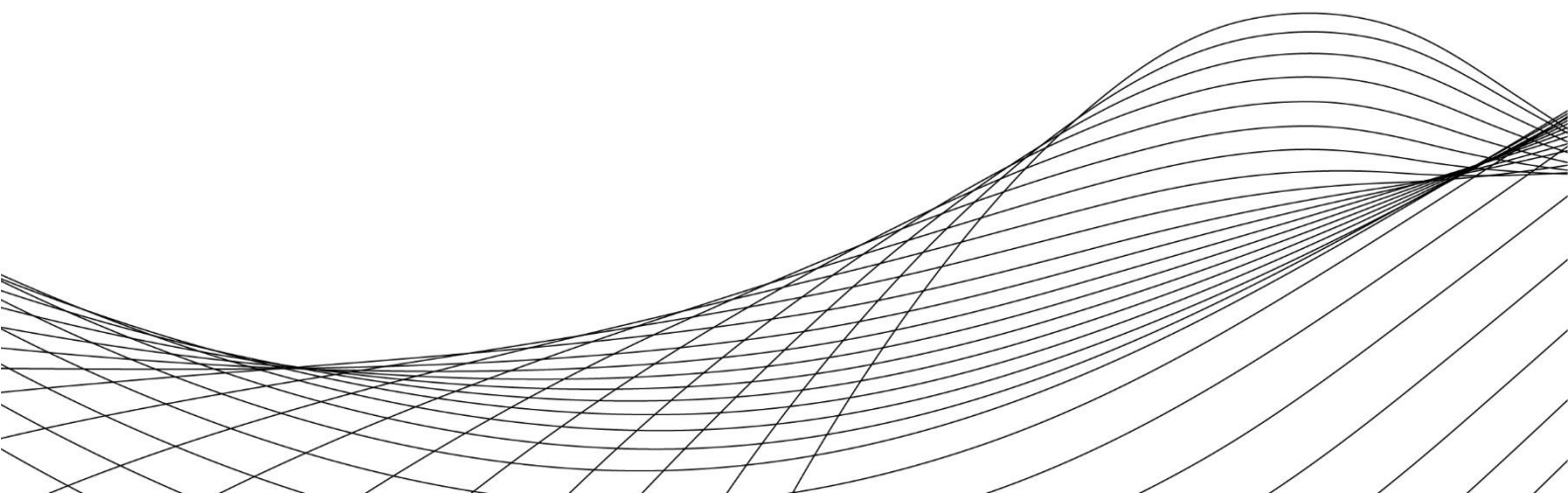
Sync



IP67



IK 10

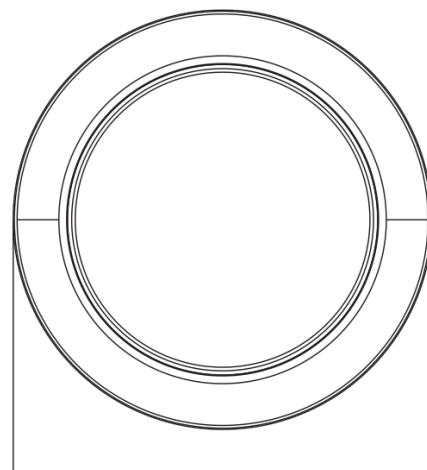
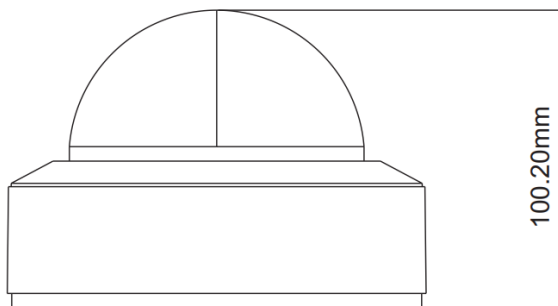




Key Features:

- ✔ 5MP@20fps/4MP@30fps image, high resolution, true colour
- ✔ AHD / TVI / CVI/CVBS standard and lossless video output
- ✔ Up to 1500 TVL resolution
- ✔ CMOS progressive scan, perfectly capture the moving object.
- ✔ Support OSD menu
- ✔ High speed, long distance, and real time transmission
- ✔ Auto colour to B / W at low illumination
- ✔ Support ICR switch, true day / night, WDR
- ✔ Support noise reduction function
- ✔ 20 ~30m IR night view distance
- ✔ IP67&IK10
- ✔ Support COC

Dimensions:



141.00mm

Specifications:



Model	PLC-335M-MZK-IR3/PM
Image Sensor	1 / 2.5" CMOS
Resolution	5MP
Image Size	2560x1936
Video Output	AHD / TVI /CVI /CVBS
Image System	PAL / NTSC
Electronic Shutter	Auto
IR Distance	20 ~ 30 m
Frame Rate	5MP @ 20fps
Min. Illumination	Color: 0.01 lux@F1.2, AGC ON; B/W: 0 lux with IR
Lens	2.8-12 mm, motorized zoom lens
Lens Mount	D14
S / N Ratio	≥52dB (AGC OFF)
Ingress Protection	IP67 & IK10
Function Control	OSD (COC Control)
Day & Night	ICR
Digital WDR	Yes
3D NR	Yes
AGC	Yes
Auto White Balance	Yes
BLC	Yes
Defog	No
LSC	Yes
Saturation	Yes
Sharpness	Yes
Contrast	Yes
Smart IR	Yes
Image Setting	Yes
Defect Correction	Yes
Language	13 languages
Angle Adjustment	Pan: 0°~345°; Tilt: 0°~77°; Rotation: 0°~345°
Power Supply	DC12V (± 10%)
Power Consumption	IR OFF: < 1W; IR ON: < 6 W
Working Environment	- 30 °C ~ 50 °C, 10 % ~ 90 % (humidity)
Dimensions (mm)	Φ 141 x 100.2
Weight (net)	Approx. 0.83KG