

pöllö

Prime Series

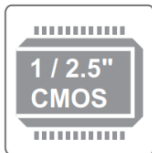


5MP FHD CAMERA

PLC-335M-IR3/PM

www.pollo.net.au

info@pollo.net.au



Sensor



Min.
illumination



BLC



Day&Night



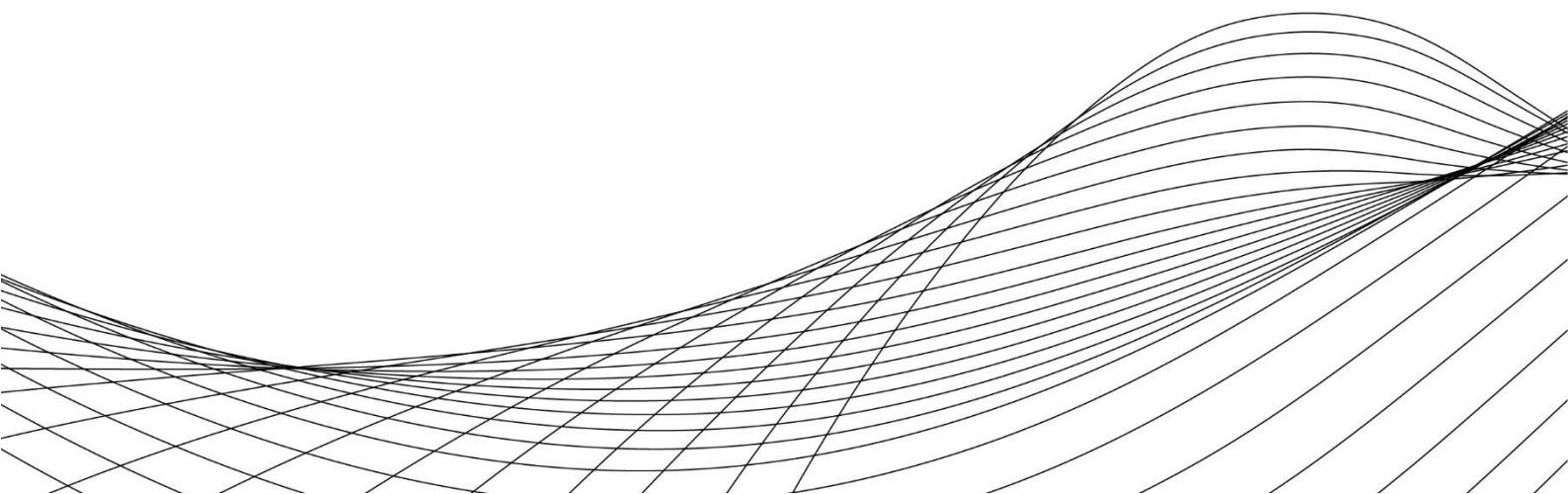
Auto WB



Sync



IP67

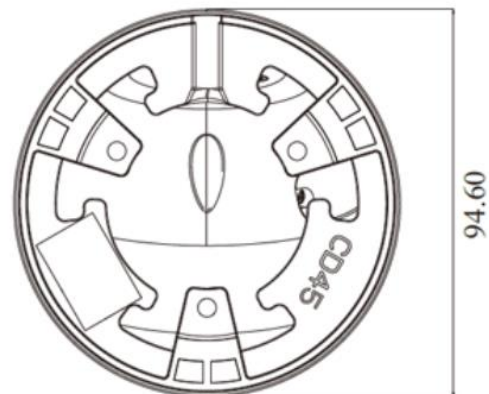
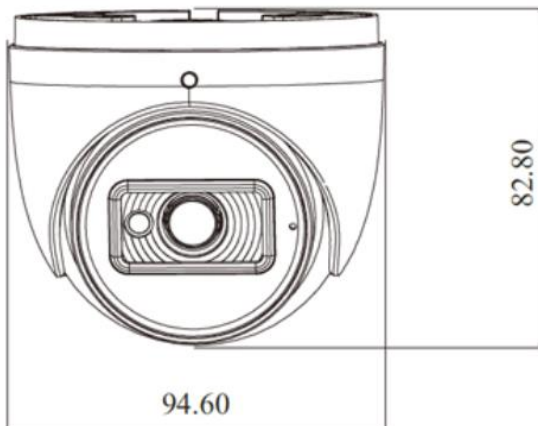


Key Features:

- ✔ 5MP @20fps/4MP real-time image, high resolution, true colour
- ✔ AHD / TVI / CVI lossless high-definition video output
- ✔ Up to 1500 TVL resolution
- ✔ CMOS progressive scan, perfectly capture the moving object.
- ✔ Support OSD menu
- ✔ High speed, long distance, and real time transmission
- ✔ Auto colour to B / W at low illumination
- ✔ Support ICR switch, true day / night
- ✔ 20 ~ 30m IR night view distance
- ✔ Support COC
- ✔ Support coaxial audio transmission.



Dimensions:





Specifications:

Model	PLC-335M-IR3/PM
Image Sensor	1 / 2.5 "CMOS
Resolution	5MP
Image Size	2560 x 1936
Video Output	AHD / TVI /CVI
Image System	PAL / NTSC
Electronic Shutter	Auto
IR Distance	20 ~30 m
Frame Rate	5MP@20fps /4MP@30fps
Min. Illumination	0 lux with IR
Lens	3.6 mm
Lens Mount	M12
S / N Ratio	≥52dB (AGC OFF)
Protection Grade	IP 67
Function Control	OSD (COC Control)
Day & Night	ICR
Digital WDR	No
Digital NR	Yes, 2D DNR
Global Exposure	Yes
Central Exposure	Yes
AGC	No
Auto White Balance	Yes
BLC	Yes
Front Light Compensation	No
Contrast	Yes
Sharpness	Yes
Smart IR	No
Image Setting	Yes
Defect Correction	Auto
Language	English
Angle Adjustment	Pan: 0°~360°; Tilt: 0°~75°; Rotation: 0°~360°
Power Supply	DC12V (± 10%)
Power Consumption	IR OFF: < 1W; IR ON: < 3W
Working Environment	- 30 °C ~ 50 °C, 10 % ~ 90 % (humidity)
Dimensions (mm)	Φ 94.6 x 82.8
Weight (net)	Approx. 0.39KG