

pöllö 
Prime Series

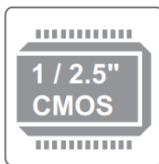


8MP FHD CAMERA

PLC-328M-IR5/PM

www.pollo.net.au

info@pollo.net.au



Sensor



Min.
illumination



BLC



Day&Night



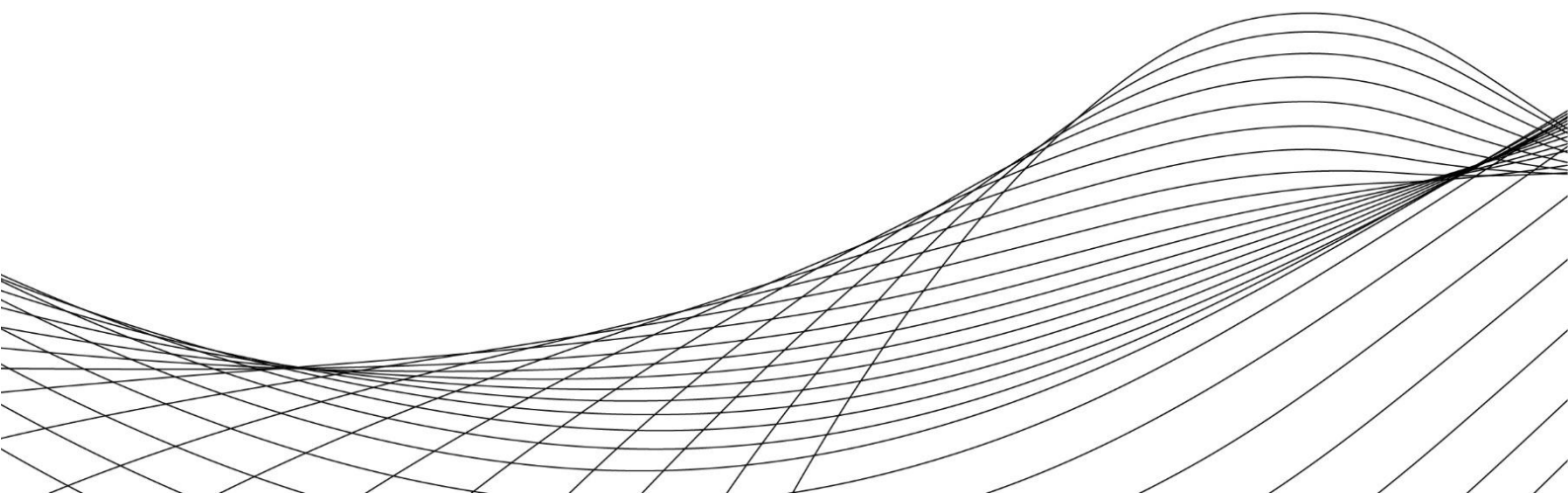
Auto WB



Sync



IP67

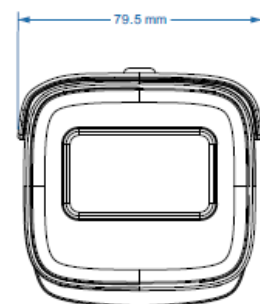
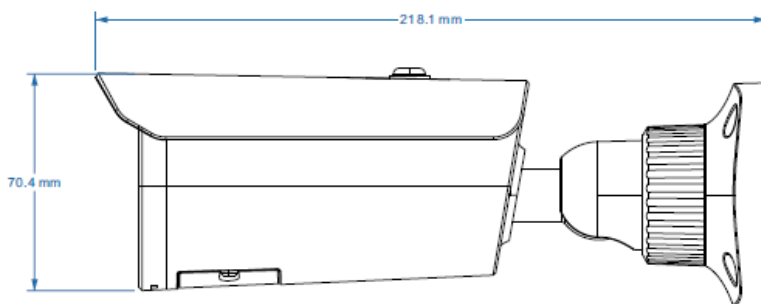




Key Features:

- ✔ 8MP @15fps/5MP@20fps/4MP@30fps high resolution, true colour
- ✔ AHD / TVI / CVI standard and lossless video output
- ✔ Up to 1700 TVL resolution
- ✔ CMOS progressive scan, perfectly capture the moving object.
- ✔ Support OSD menu
- ✔ High speed, long distance, and real time transmission
- ✔ Auto colour to B / W at low illumination
- ✔ Support ICR switch, true day / night
- ✔ Support noise reduction function
- ✔ 30 ~ 50m IR night view distance
- ✔ IP 67
- ✔ Support COC
- ✔ Support 960H CVBS

Dimensions:





Specifications:

Model	PLC-328M-IR5/PM
Image Sensor	1 / 2.5" CMOS
Resolution	8MP
Image Size	3840x2160
Video Output	AHD / TVI /CVI /CVBS
Image System	PAL / NTSC
Electronic Shutter	Auto
IR Distance	30 ~ 50 m
Frame Rate	15fps
Min. Illumination	Color: 0.01 lux@F1.2, AGC ON; B/W : 0 lux with IR
Lens	2.8 mm
Lens Mount	M12 or D14 optional
S / N Ratio	≥52dB (AGC OFF)
Ingress Protection	IP 67
Function Control	OSD (COC Control)
Day & Night	ICR
Digital WDR	No
3D NR	Yes
AGC	No
Auto White Balance	Yes
BLC	Yes
Defog	No
LSC	No
Saturation	Yes
Sharpness	Yes
Contrast	Yes
Smart IR	Yes
Image Setting	Yes
Defect Correction	Auto
Language	11 languages
Angle Adjustment	Pan: 0°~360°; Tilt: 0°~90°; Rotation: 0°~360°
Power Supply	DC12V (± 10%)
Power Consumption	IR OFF: < 2W; IR ON: < 5.5W
Working Environment	- 30 °C ~ 50 °C, 10 % ~ 90 %
Dimensions (mm)	217.7 x 80.5 x 80.5
Weight (net)	Approx. 0.57KG