

pöllö 
Prime Series

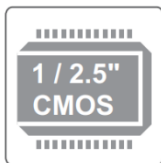


8MP FHD CAMERA

PLC-328M-IR3/PM

www.pollo.net.au

info@pollo.net.au



Sensor



Min.
illumination



BLC



Day&Night



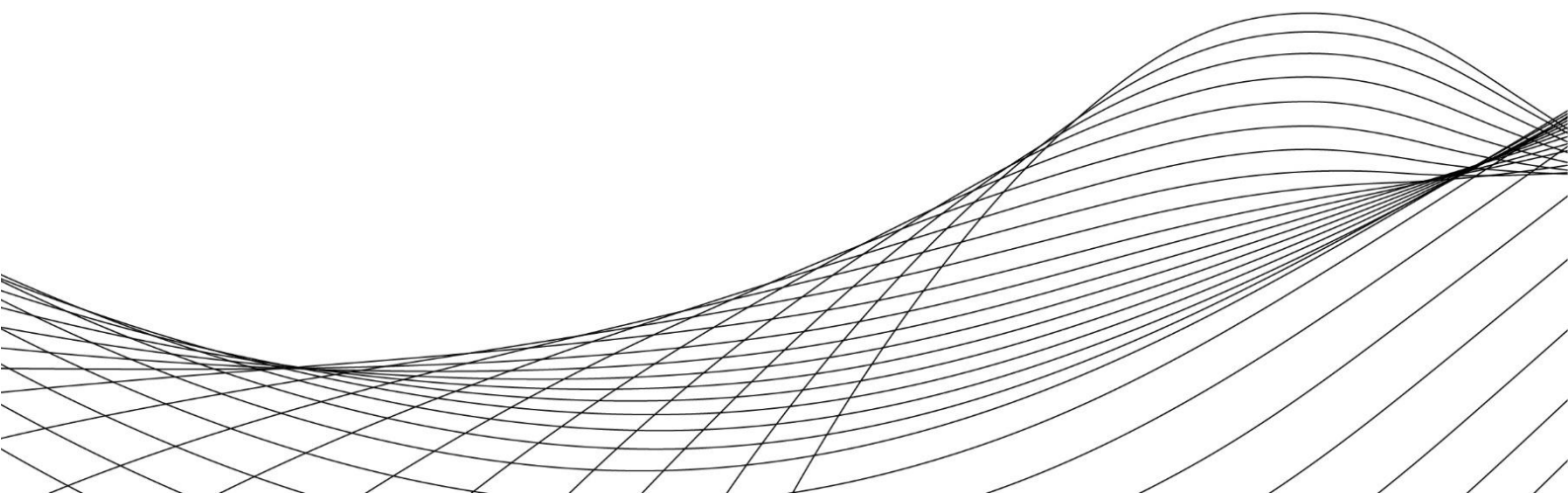
Auto WB



Sync



IP67

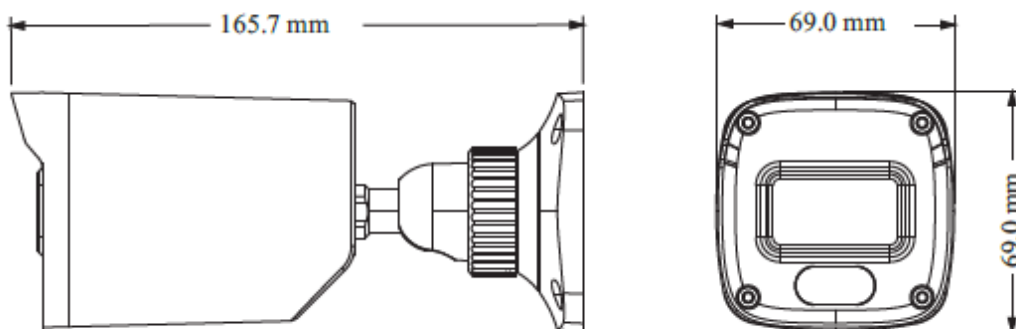


Key Features:



- ✔ 8MP@15fps high resolution, true colour
- ✔ AHD / TVI / CVI standard and lossless video output
- ✔ Up to 1700 TVL resolution
- ✔ CMOS progressive scan, perfectly capture the moving object.
- ✔ Support OSD menu
- ✔ High speed, long distance, and real time transmission
- ✔ Auto colour to B / W at low illumination
- ✔ Support ICR switch, true day / night
- ✔ Support noise reduction function
- ✔ 20 ~ 30m IR night view distance
- ✔ IP67 ingress protection
- ✔ Support COC
- ✔ Support 960H CVBS

Dimensions:





Specifications:

Model	PLC-328M-IR3/PM
Image Sensor	1 / 2.7" CMOS
Resolution	8MP@15fps (Max)
Image Size	3840x2160
Video Output	AHD / TVI / CVI / CVBS
Image System	PAL / NTSC
Electronic Shutter	Auto
IR Distance	20 ~ 30 m
Frame Rate	15fps(60Hz), 12.5fps(50Hz)
Min. Illumination	Color: 0.01 lux@F1.2, AGC ON; B/W: 0 lux with IR
Lens	3.6 mm
Lens Mount	M12
S / N Ratio	≥52dB (AGC OFF)
Ingress Protection	IP67
Function Control	OSD (COC Control)
Day & Night	ICR
Digital WDR	Yes
Digital NR	Yes
AGC	Yes
Auto White Balance	Yes
BLC	Yes
Defog	No
LSC	No
HLC	No
Sharpness	Yes
Mirror	No
Smart IR	No
Image Setting	Yes
Defect Correction	Auto
Language	English
Angle Adjustment	Pan: 0°~360°; Tilt: 0°~90°; Rotation: 0°~360°
Power Supply	DC12V (± 10%)
Power Consumption	IR OFF: < 1W; IR ON: < 4W
Working Environment	- 30 °C ~ 50 °C, 10 % ~ 90 % (humidity)
Dimensions (mm)	167.5 x 74. 5 x 74. 5
Weight (net)	Approx. 0.37KG