

pöllö 
Prime Series



5MP FHD Camera

PLC-325M-IR5/PM

www.pollo.net.au

info@pollo.net.au



Sensor

Min.
illumination

BLC

WDR

Day&Night

Auto WB

Sync

AGC

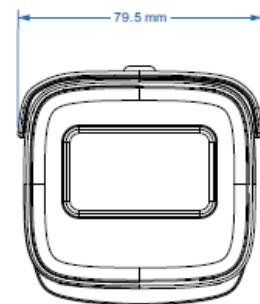
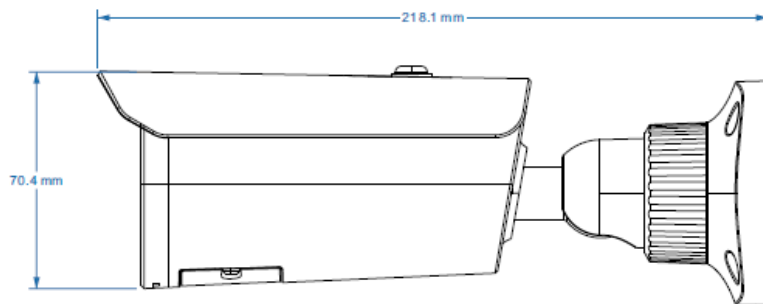
IP67



Key Features:

- ✔ 5MP@20fps/4MP@30fps image, high resolution, true color
- ✔ AHD / TVI / CVI/CVBS standard and lossless video output
- ✔ Up to 1500 TVL resolution
- ✔ CMOS progressive scan, perfectly capture the moving object
- ✔ Support OSD menu
- ✔ High speed, long distance and real time transmission
- ✔ Auto color to B / W at low illumination
- ✔ Support ICR switch, true day / night, WDR
- ✔ Support noise reduction function
- ✔ 30 ~ 50m IR night view distance
- ✔ IP67 ingress protection
- ✔ Support COC

Dimensions:



Specifications:



Model	PLC-325M-IR5/PM
Image Sensor	1 / 2.7" CMOS
Resolution	5MP
Image Size	2560 x 1936
Video Output	AHD / TVI /CVI/CVBS
Image System	PAL / NTSC
Electronic Shutter	Auto
IR Distance	30 ~ 50 m
Frame Rate	5MP @20fps
Min. Illumination	Color : 0.01 lux@F1.2, AGC ON; B/W : 0 lux with IR
Lens	3.6 mm
Lens Mount	M12
S / N Ratio	≥52dB (AGC OFF)
Ingress Protection	IP67
Function Control	OSD (COC Control)
Day & Night	ICR
Digital WDR	Yes
Digital NR	Yes
AGC	Yes
Auto White Balance	Yes
BLC	Yes
LSC	Yes
Defog	No
HLC	Yes
Sharpness	Yes
Mirror	Yes
Smart IR	Yes
Image Setting	Yes
Defect Correction	Yes
Language	13 languages
Angle Adjustment	Pan: 0°~360°; Tilt: 0°~90°; Rotation: 0°~360°
Power Supply	DC12V (± 10%)
Power Consumption	IR OFF: < 1W; IR ON: < 6W
Working Environment	- 30 °C ~ 50 °C, 10 % ~ 90 % (humidity)
Dimensions (mm)	217.7 x 80.5 x 80.5
Weight (net)	Approx. 0.57KG