

pöllö

Prime Series

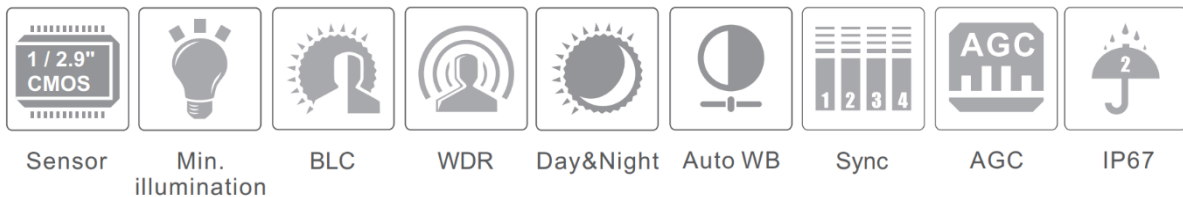


2MP FHD Camera

PLC-322M-IR3/PM

www.pollo.net.au

info@pollo.net.au

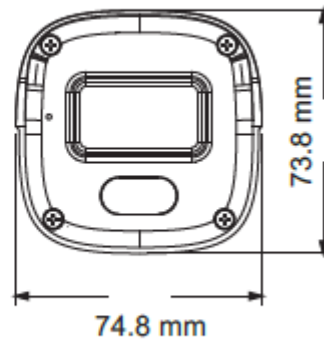
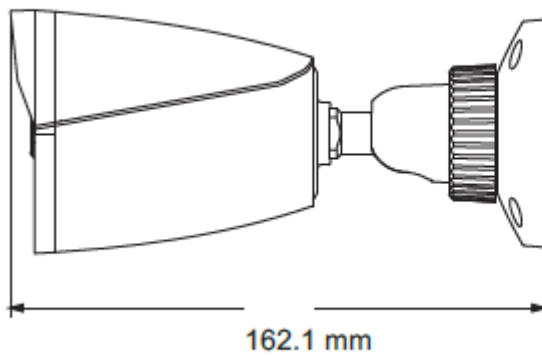




Key Features:

- ✔ 1080P real-time image, high resolution, true color
- ✔ AHD / TVI / CVI / CVBS standard and lossless video output
- ✔ CMOS progressive scan, perfectly capture the moving object.
- ✔ Support OSD menu
- ✔ High speed, long distance, and real time transmission
- ✔ Auto color to B / W at low illumination
- ✔ Support ICR switch, true day / night, digital WDR
- ✔ Support noise reduction function
- ✔ 20 ~ 30m IR night view distance
- ✔ IP67
- ✔ Support COC

Dimensions:



Specifications:



| | |
|---------------------------------|--|
| Model | PLC-322M-IR3/PM |
| Image Sensor | 1 / 2.9 "CMOS |
| Resolution | 2MP |
| Image Size | 1920 x 1080 |
| Video Output | AHD / TVI /CVI/CVBS |
| Image System | PAL / NTSC |
| Electronic Shutter | Auto; 1 / 50s ~ 1 / 100000s (PAL);1 / 60s ~ 1 / 100000s (NTSC) |
| IR Distance | 20 ~30 m |
| Frame Rate | 30fps(60Hz); 25fps (50Hz) |
| Min. Illumination | 0 lux (IR ON) |
| Lens | 2.8 mm |
| Lens Mount | M12 |
| S / N Ratio | ≥52dB (AGC OFF) |
| Ingress Protection | IP 67 |
| Function Control | OSD (COC Control) |
| Day & Night | ICR |
| Digital WDR | Yes |
| 3D DNR | Yes |
| AGC | Yes |
| Auto White Balance | Yes |
| BLC | Yes |
| Front Light Compensation | Yes |
| Defog | No |
| HLC | No |
| Sharpness | Yes |
| Mirror | Yes |
| Smart IR | Yes |
| Image Setting | Yes |
| Defect Correction | Auto |
| Language | English |
| Angle Adjustment | Pan: 0°~360°; Tilt: 0°~80°; Rotation: 0°~360° |
| Power Supply | DC12V (± 10%) |
| Power Consumption | IR OFF: < 1W; IR ON: < 3W |
| Working Environment | - 30 °C ~ 50 °C, 10 % ~ 90 % (humidity) |
| Dimensions (mm) | 167.5 x 74. 5 x 74. 5 |
| Weight (net) | Approx. 0.37KG |