

pöllö   
**Prime Series**

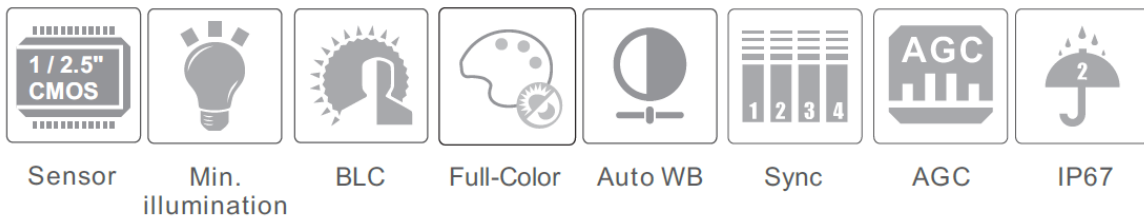


## 5MP FHD Camera

**PLC-325P-AU-WR3/PM**

[www.pollo.net.au](http://www.pollo.net.au)

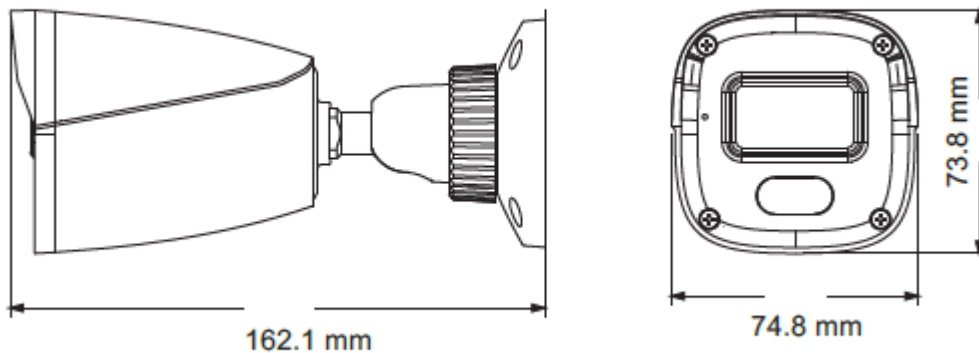
[info@pollo.net.au](mailto:info@pollo.net.au)



## Key Features:

- ✔ 5MP@20fps/4MP real time image, high resolution, true colour.
- ✔ AHD / TVI / CVI standard and lossless video output
- ✔ CMOS progressive scan, perfectly capturing the moving object
- ✔ Support OSD menu
- ✔ Support DWDR
- ✔ High speed, long distance and real time transmission
- ✔ The LED can be automatically turned on at low illumination
- ✔ Support coaxial audio transmission
- ✔ 20 ~ 30m LED view distance
- ✔ IP67 ingress protection
- ✔ Support COC

## Dimensions:



## Specifications:



<b>Model</b>	<b>PLC-325P-AU-WR3/PM</b>
<b>Image Sensor</b>	1 / 2.5" CMOS
<b>Resolution</b>	5MP
<b>Image Size</b>	2560 x 1936
<b>Video Output</b>	AHD / TVI /CVI
<b>Image System</b>	PAL / NTSC
<b>Audio</b>	Built in Mic
<b>Electronic Shutter</b>	Auto; 1/50s~1/000000s(P); 1/60s~1/100000s(N)
<b>IR Distance</b>	20 ~30 m Colour Night Vision
<b>Frame Rate</b>	5MP@20fps/4MP@30fps
<b>Min. Illumination</b>	0 lux with LED ON
<b>Lens</b>	3.6 mm
<b>Lens Mount</b>	M12
<b>S / N Ratio</b>	≥52dB (AGC OFF)
<b>Ingress Protection</b>	IP67
<b>Function</b>	OSD (COC Control)
<b>Smart LED</b>	Yes
<b>Digital WDR</b>	Yes
<b>Digital NR</b>	Yes, 2D DNR
<b>Global Exposure</b>	Yes
<b>Central Exposure</b>	Yes
<b>AGC</b>	Yes
<b>Auto White Balance</b>	Yes
<b>BLC</b>	Yes
<b>Contrast</b>	Yes
<b>Sharpness</b>	Yes
<b>Image Setting</b>	Yes
<b>Defect Correction</b>	Auto
<b>Language</b>	English
<b>Angle Adjustment</b>	Pan: 0°~360°; Tilt: 0°~80°; Rotation: 0°~360°
<b>Power Supply</b>	DC12V (± 10%)
<b>Power Consumption</b>	LED OFF: < 1.5W; LED ON: <3W
<b>Working Environment</b>	- 30 °C ~ 50 °C, 10 % ~ 90 % (relative humidity)
<b>Dimensions (mm)</b>	165.7 x 69 x 69
<b>Weight (net)</b>	Approx. 0.37KG