

pöllö   
**Prime Series**

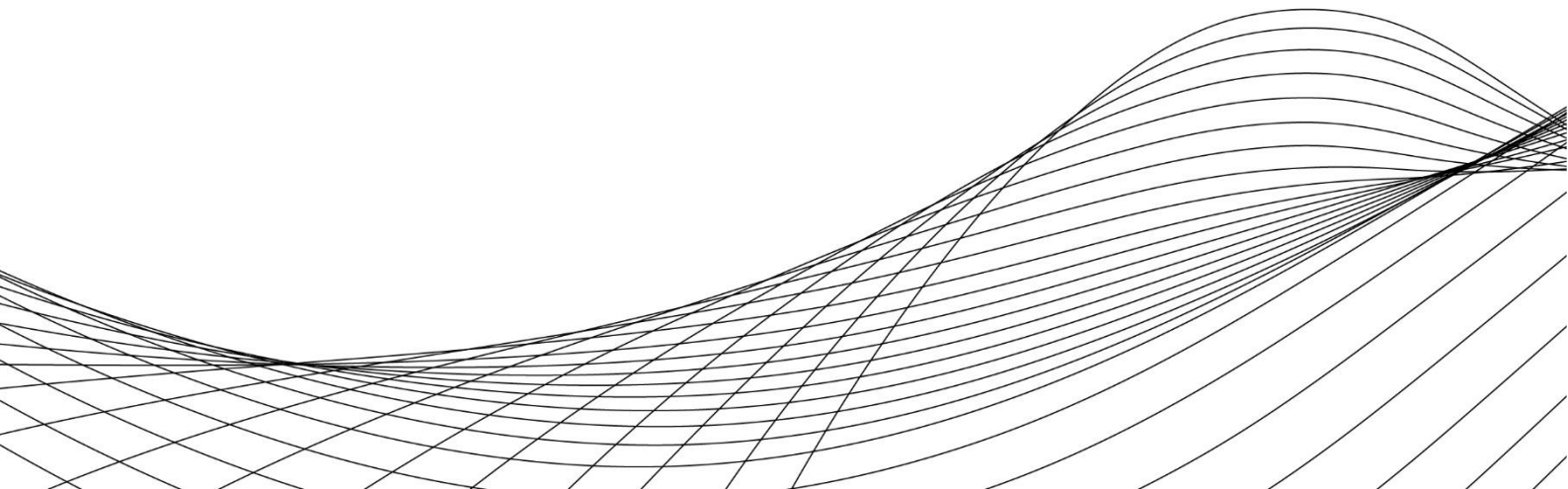
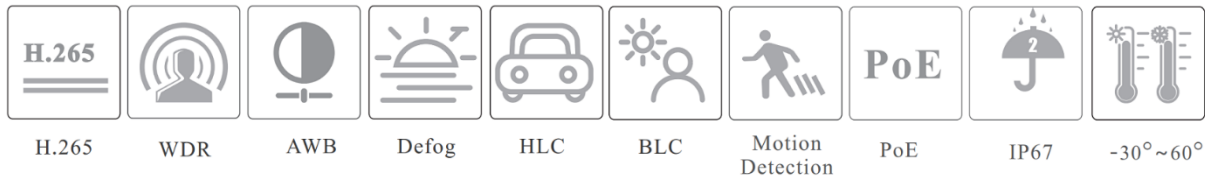


## 5MP IP Camera

**PLC-435M-MZ-IR5/PM**

[www.pollo.net.au](http://www.pollo.net.au)

[info@pollo.net.au](mailto:info@pollo.net.au)

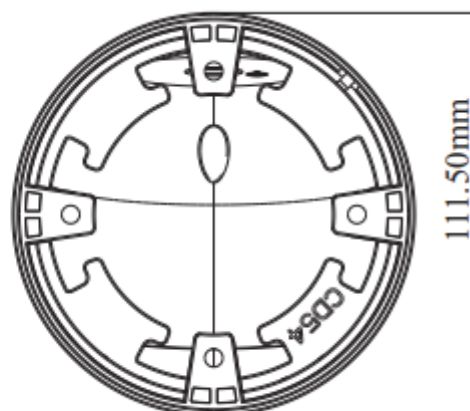
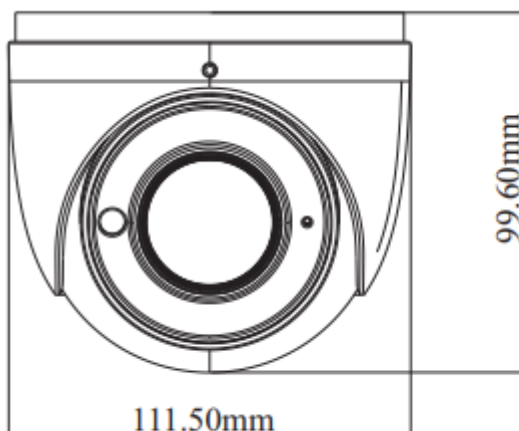


## Key Features:

- ✔ H.265+ /H.265 /H.264+/H.264/MJPEG coding
- ✔ Max.resolution: 5MP ( 2880 × 1620)
- ✔ ICR auto switch, true day / night vision
- ✔ 3D DNR, WDR, HLC, BLC, smart IR, etc.
- ✔ ROI coding
- ✔ 30~50m IR night view distance
- ✔ Built-in micro SD card slot, up to 256GB
- ✔ DC12V/PoE power supply
- ✔ IP 67 ingress protection
- ✔ Support three streams
- ✔ Support remote monitoring by smart phones& tablet PCs
- ✔ with iOS and Android OS
- ✔ Intelligent analytics



## Dimensions:



## Specifications:

<b>Model</b>	<b>PLC-435M-MZ-IR5/PM</b>
<b>Image Sensor</b>	1 / 2.7 "CMOS
<b>Image Size</b>	2880×1620
<b>Electronic Shutter</b>	1 / 2s ~ 1 / 100000s
<b>Iris Type</b>	Fixed Iris
<b>Min. Illumination</b>	0.005 lux @F1.4, AGC ON; 0 lux with IR
<b>Lens</b>	2.8 ~ 12 mm @F1.4; (motorized)
<b>Field of View</b>	Horizontal: 100 °~36.5°; Vertical: 52°~20.5°; Diagonal: 116 °~ 41°
<b>Lens Mount</b>	14
<b>Day &amp; Night</b>	ICR
<b>Wide Dynamic Range</b>	120dB
<b>BLC</b>	Yes
<b>HLC</b>	Yes
<b>Defog</b>	Yes
<b>S/N Ratio</b>	≥50dB
<b>Angle Adjustment</b>	Pan: 0°~360°; Tilt:0°~80°; Rotation: 0°~360°
<b>Video Compression</b>	Main stream: H.265+ / H.265 / H.264+ / H.264 Sub/Third stream: H.265+ / H.265 / H.264+ / H.264 / MJPEG
<b>H.265 Compression Standard</b>	Main Profile@Leve4.1 High Tier
<b>Resolution</b>	5MP(2880×1620), 4MP(2560×1440), 3MP(2304×1296), 1080P(1920×1080), 720P(1280×720), D1, VGA(640× 480), 480× 240, CIF
<b>Main Stream</b>	5MP/4MP/3MP/1080P/720P(60Hz:1~30fps; 50Hz:1~25fps)
<b>Sub Stream</b>	720P/D1/VGA/CIF (60Hz:1~30fps; 50Hz:1~25fps)
<b>Third Stream</b>	D1/480× 240/CIF (1~30fps);50Hz: D1/480× 240/CIF(1~25fps)
<b>Bit Rate</b>	64 Kbps ~ 8 Mbps
<b>Bit Rate Type</b>	VBR / CBR
<b>Audio Compression</b>	G711A / U
<b>Image Settings</b>	ROI, Saturation, Brightness, Hue, Contrast, Wide Dynamic, Sharpness, NR, etc. adjustable through client software or web browser
<b>ROI</b>	Each ROI to be configured separately
<b>Network</b>	RJ45
<b>Video Output</b>	No
<b>Audio</b>	1CH built-in MIC
<b>Storage</b>	Built-in micro-SD card slot, up to 128GB
<b>Reset</b>	Yes
<b>Remote Monitoring</b>	Web browsing, CMS remote control
<b>Online Connection</b>	Support simultaneous monitoring for up to 10 users; Support multi-stream real time transmission

<b>Network Protocol</b>	TCP/IP, UDP, IPv4, IPv6, DHCP, NTP, RTSP, RTP, RTCP, PPPoE, DDNS, SMTP, FTP, SNMP, RTMP, HTTP, 802.1x, UPnP, HTTPS, HTTP POST, QoS
<b>Interface Protocol</b>	ONVIF
<b>Storage</b>	Network remote storage; micro SD card storage
<b>Smart Alarm</b>	Motion detection, SD card error, SD card full, IP address conflict, cable disconnection, video exception
<b>Intelligent Analytics</b>	Line crossing/region intrusion (human/vehicle classification), abandoned/missing object detection
<b>General Function</b>	Watermark, IP address filtering, video mask, heartbeat, illegal login lock
<b>PoE</b>	Yes
<b>IR Distance</b>	30 ~ 50 m
<b>Ingress Protection</b>	IP67
<b>Power Supply</b>	DC12V/PoE
<b>Power Consumption</b>	< 8.5W
<b>Operating Environment</b>	- 30 °C ~ 60 °C (-22°F~140°F) Humidity: less than 95 % (non-condensing)
<b>Dimensions (mm)</b>	∅ 111.5 × 99.6
<b>Weight (net)</b>	Approx. 0.65KG
<b>Installation</b>	Ceiling mounting; Wall mounting
<b>Certificate</b>	CE, FCC
<b>Environmental Protection</b>	Directive EU RoHS, WEEE (2012/19/EU), directive 94/62/EC and REACH(EC1907/2006)