

pöllö 
Prime Series

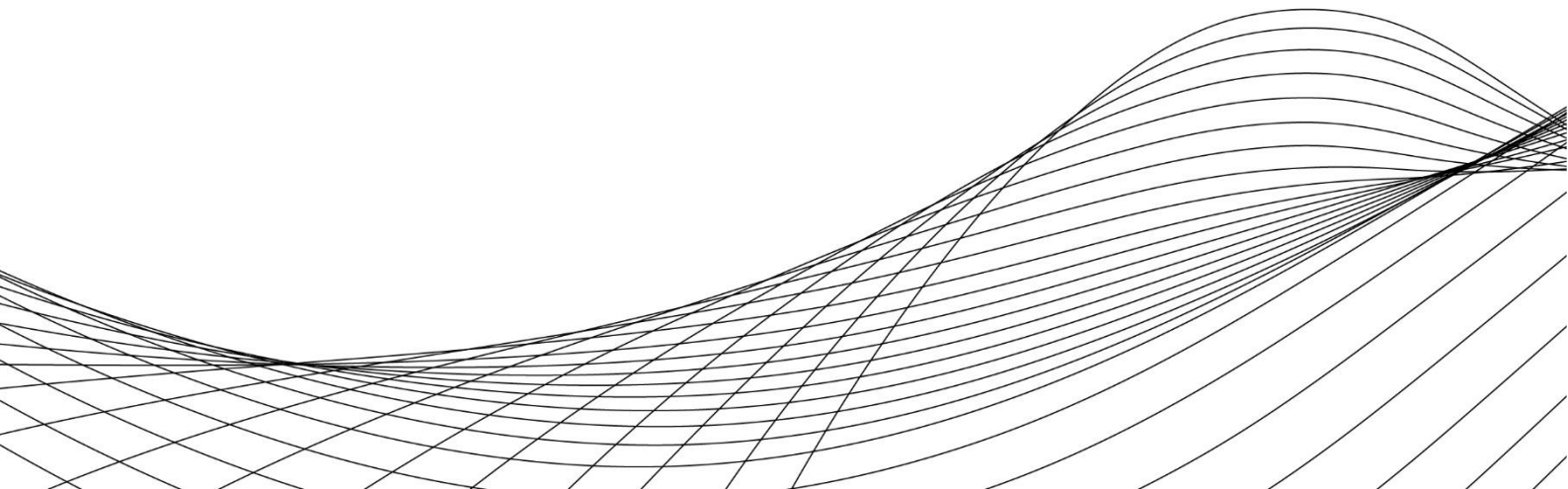
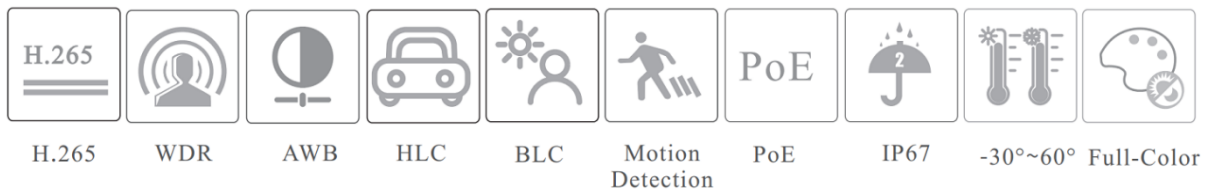


2MP FULL COLOUR IP CAMERA

PLC-432P-AU-WR3/PM

www.pollo.net.au

info@pollo.net.au

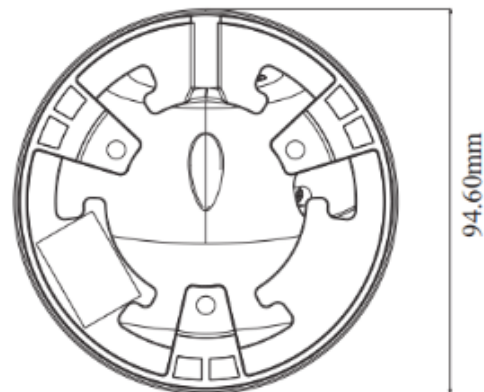
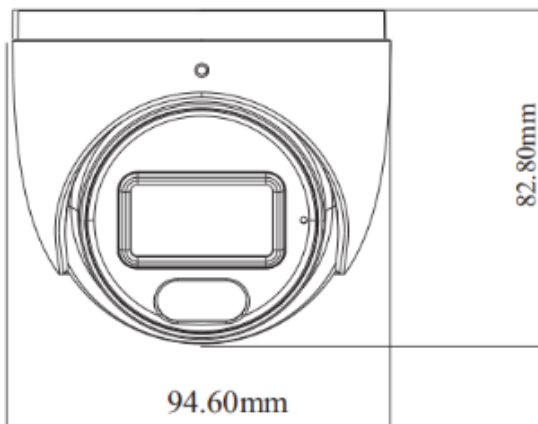


Key Features:

- ✔ 2MP (1920 × 1080) H.265 full real time coding
- ✔ Max. resolution: 1920 × 1080
- ✔ 20~ 30m white light view distance
- ✔ 24/7 full colour imaging
- ✔ 3D DNR, HWDR, HLC and BLC
- ✔ ROI coding
- ✔ Built-in micro-SD card slot, up to 256GB
- ✔ DC12V/PoE power supply
- ✔ IP67 ingress protection
- ✔ Support three streams
- ✔ Support mobile surveillance by smart phones with iOS and Android OS Intelligent Analytics



Dimensions:



Specifications:

Model	PLC-432P-AU-WR3/PM
Image Sensor	1 / 2.8 "CMOS
Image Size	1920 × 1080
Electronic Shutter	1 s ~ 1 / 100000 s
Iris Type	Fixed Iris
Min. Illumination	0.002 lux@ F1.0, AGC ON; 0 lux with LED ON
S/N Ratio	≥50dB
Lens	2.8 mm @F1.0, H.FoV: 105.2°; V.FoV:55.5°; D.FoV:125.1° 3.6 mm @F1.0, H.FoV: 84.6°; V.FoV:45.9°; D.FoV:100°
Focus	Fixed
Lens Mount	M12
Wide Dynamic Range	120dB
BLC	Yes
HLC	Yes
Defog	No
Digital NR	3D DNR
Angle Adjustment	Pan: 0°~360°; Tilt:0°~75°; Rotation: 0°~360°
Video Compression	Main stream: H.265+ / H.265 / H.264+ / H.264 Sub stream: H.265+ / H.265 / H.264+ / H.264 / MJPEG Third stream: H.265+ / H.265 / H.264+ / H.264 / MJPEG
H.264 Compression Standard	Baseline Profile/Main Profile/High Profile
Resolution	1080P (1920 × 1080), 720P (1280 × 720), D1, 640 × 480, CIF, 480 × 240
Main Stream	60Hz:1080P(1~30fps)/720P(1~30fps); 50Hz:1080P(1~25fps)/720P(1~25fps)
Sub Stream	60Hz: D1/CIF/640 × 480 (1~30fps); 50Hz: D1/CIF/640 × 480 (1~25fps)
Third Stream	60Hz: D1/CIF/480×240 (1~30fps); 50Hz: D1/CIF/480×240 (1~25fps)
Bit Rate	128 Kbps ~ 6 Mbps
Bit Rate Type	VBR / CBR
Audio Compression	G711A / U
Image Settings	ROI, Saturation, Brightness, Hue, Contrast, Wide Dynamic, Sharpness, Image Flip, Image Mirror, NR, etc. adjustable through client software or web browser
ROI	Each ROI to be configured separately
Network	RJ 45
Video Output	NO
Audio	1CH audio input; 1CH built-in MIC
Storage	Built-in micro-SD card slot, up to 256GB
Reset	Yes
Remote Monitoring	Web Browser/TVT NVMS2.0/NVR/mobile APP
Web Browser	IE (plug-in required)/Google Chrome/Edge/Firefox/Safari
Online Connection	Support simultaneous monitoring for up to 3 users; Support multi-stream real time transmission
Network Protocol	UDP, IPv4, IPv6, DHCP, NTP, RTSP, RTP, RTCP, RTMP, PPPoE, DDNS, 802.1x, SMTP, FTP, UPnP, HTTPs, HTTP, QoS

Interface Protocol	ONVIF
Storage	Network remote storage; micro-SD card storage
Intelligent Analytics	Video exception detection, intrusion detection and line crossing detection, abandoned/missing object detection
Smart Alarm	Motion detection, SD card error, SD card full
General function	Watermark, IP address filtering, video mask, heartbeat, illegal login lock, corridor pattern
PoE	Yes (IEEE802.3af)
White Light Range	20 ~ 30 m
Ingress Protection	IP 67
Power Supply	DC12V/PoE
Power Consumption	< 5.5W
Storage Conditions	- 30 °C ~ 65°C (-22°F~149°F), Humidity: less than 95 % (non-condensing)
Operating Conditions	- 30 °C ~ 60 °C (-22°F~140°F), Humidity: less than 95 % (non-condensing)
Dimensions (mm)	Φ 94.6 × 82.8
Weight (net)	Approx. 0.45KG
Installation	Ceiling mounting; wall mounting
Certificate	CE, FCC
Environmental Protection	Complies with Directive EU RoHS, WEEE (2012/19/EU), directive 94/62/EC and REACH(EC1907/2006)