

pöllö 
Prime Series

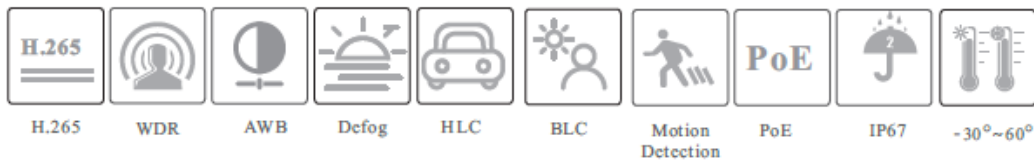


5MP IP Camera

PLC-425M-IR3/PM

www.pollo.net.au

info@pollo.net.au

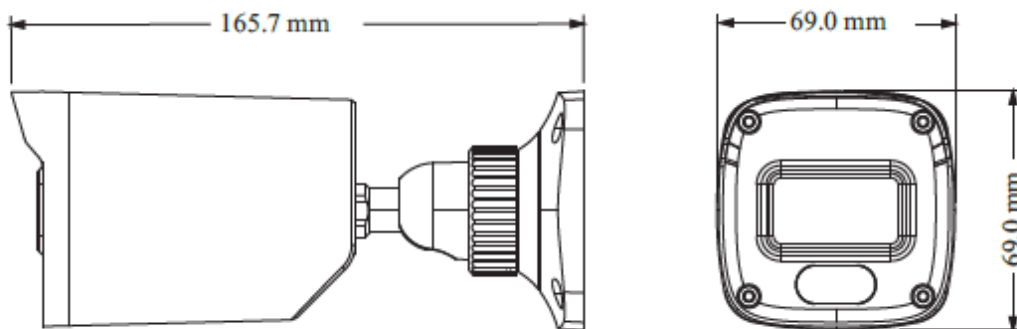




Key Features:

- ✔ H.265+ /H.265 /H.264+/H.264/MJPEG coding
- ✔ Max. resolution: 5MP (2880 × 1620)
- ✔ ICR auto switch, true day / night vision
- ✔ 3D DNR, WDR, HLC, BLC, smart IR, etc.
- ✔ ROI coding
- ✔ 20~30m IR night view distance
- ✔ Built-in micro-SD card slot, up to 256GB
- ✔ DC12V/PoE power supply
- ✔ IP 67 ingress protection
- ✔ Support three streams
- ✔ Support remote monitoring by smart phones& tablet PCs with iOS and Android OS
- ✔ Intelligent analytics

Dimensions:





Specifications:

Model	PLC-425M-IR3/PM
Image Sensor	1 / 2.7 "CMOS
Image Size	2880×1620
Electronic Shutter	1 / 1s ~ 1 / 100000s
Iris Type	Fixed Iris
Min. Illumination	0.007 lux @F1.6, AGC ON; 0 lux with IR
Lens	2.8mm@F1.6, Horizontal FoV:110.5°; Vertical FoV:57°; Diagonal FoV:131° 3.6mm@F1.6, Horizontal FoV:91.5°; Vertical FoV:49.5°; Diagonal FoV:107°
Focus	Fixed
Lens Mount	M12
Day & Night	ICR
Wide Dynamic Range	120dB
BLC	Yes
HLC	Yes
Digital NR	Yes
Angle Adjustment	Pan: 0°~360°; Tilt:0°~80°; Rotation: 0°~360°
Video Compression	Main stream: H.265+ / H.265 / H.264+ / H.264 Sub stream: H.265+ / H.265 / H.264+ / H.264 / MJPEG Third stream: H.265+ / H.265 / H.264+ / H.264/ MJPEG
H.265 Compression Standard	Main Profile@Leve4.1 High Tier
Resolution	5MP (2880 × 1620), 4MP (2560 × 1440), 3MP (2304 × 1296),1080P (1920 × 1080), 720P (1280 × 720), D1, 480× 240, CIF
Main Stream	60Hz: 5MP(1~20fps)/4MP/3MP/1080P/720P(1~30fps); 50Hz: 5MP(1~20fps)/4MP/3MP/1080P/720P(1~25fps)
Sub Stream	60Hz: 720P/D1/ CIF (1~30fps);50Hz: 720P/D1/ CIF (1~25fps)
Third Stream	60Hz: D1/480× 240/CIF (1~30fps);50Hz: D1/480× 240/CIF(1~25fps)
Bit Rate	64 Kbps ~ 8 Mbps
Bit Rate Type	VBR / CBR
Image Settings	ROI, Saturation, Brightness, Hue, Contrast, Wide Dynamic, Sharpness, Image Mirror, Image Flip, NR, etc. adjustable through client software or web browser
ROI	Each ROI to be configured separately
Remote Monitoring	Web browser /Pollo NVR/PVMS Plus /Pollo Live Plus mobile app
Web Browser	IE (plug-in required)/Google Chrome/Edge/Firefox/Safari
Online Connection	Support simultaneous monitoring for up to 10 users; Support multi-stream real time transmission
Network Protocol	UDP, IPv4, IPv6, DHCP, NTP, RTSP, RTP, RTCP, PPPoE, DDNS, SMTP, FTP, 802.1x, SNMP, UPnP, RTMP, HTTP, HTTPs, QoS
Interface Protocol	ONVIF
Storage	Network remote storage; micro-SD card storage

Smart Alarm	Motion detection, SD card full, SD card error
Smart Event	Video Exception (scene change, video blur and video cast detection), line crossing detection, region intrusion detection, abandoned/missing object detection
General Function	Watermark, IP address filtering, video mask, heartbeat, illegal login lock, corridor pattern
PoE	Yes
IR Distance	20 ~ 30 m
Ingress Protection	IP67
Network	RJ45
Video Output	No
Audio	1CH audio input; 1CH built-in MIC
Storage	Built-in micro-SD card slot, up to 256GB
Reset	Yes
Power Supply	DC12V/PoE
Power Consumption	< 6W
Operating Environment	- 30 °C ~ 60 °C (-22°F~140°F); Humidity: less than 95 % (non-condensing)
Storage Environment	- 30 °C ~ 65°C (-22°F~149°F), Humidity: less than 95 % (non-condensing)
Dimensions (mm)	167.5 × 74.5 × 74.5
Weight (net)	Approx. 0.38KG
Installation	Ceiling mounting; Wall mounting
Certificate	CE, FCC
Environmental Protection	Complies with Directive EU RoHS, WEEE (2012/19/EU), directive 94/62/EC and REACH(EC1907/2006)