

pöllö 
Prime Series



8MP 45X PTZ

PLC-9845-AI-IR80/PM

www.pollo.net.au

info@pollo.net.au



Smart Tracking



Starlight



True WDR



VCA



3D DNR



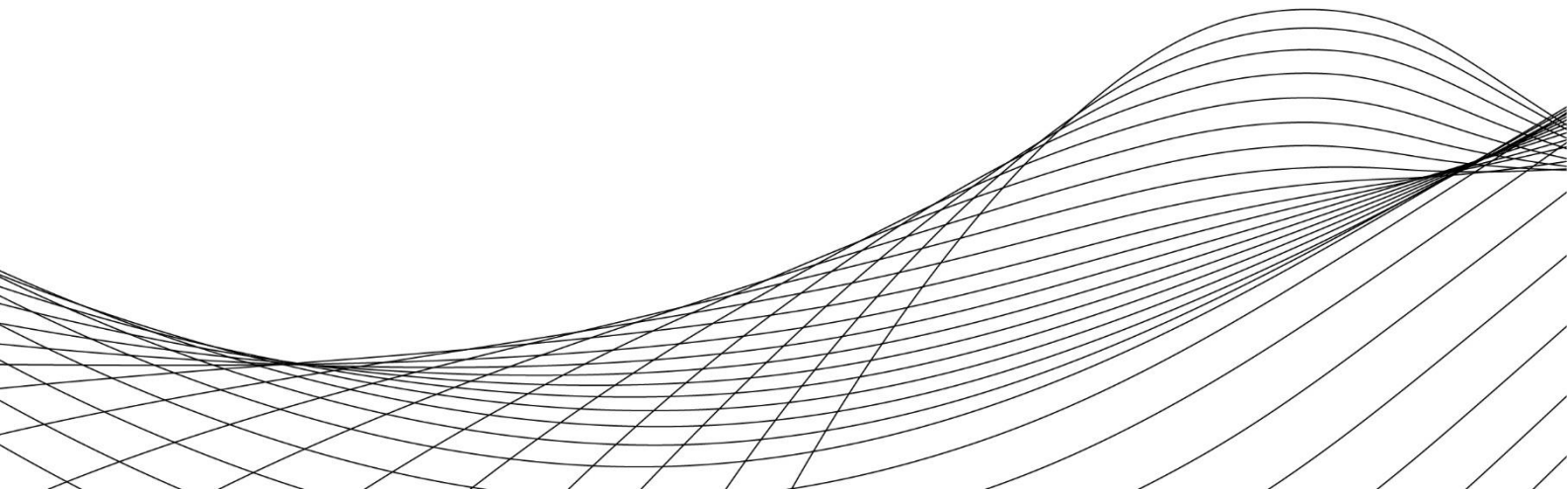
PoE++



IP67



H.265

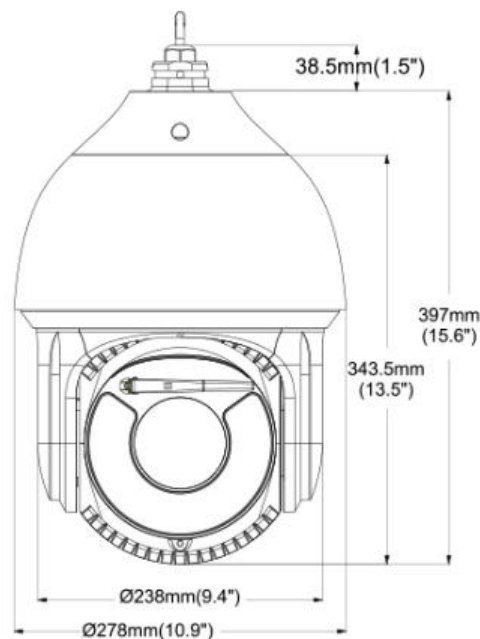


Key Features:

- ✔ 1/1.8" back-illuminated stacked CMOS
- ✔ 45x optical zoom lens
- ✔ P-Iris, F1.2 large aperture
- ✔ Up to 8MP (4096x2160) resolution.
- ✔ Mini illumination:
 - ✔ Color: 0.005 lux @ (F1.2 AGC ON)
 - ✔ B/W: 0.001 lux@ (F1.2 AGC ON)
 - ✔ 0 Lux with IR
- ✔ 120 dB WDR, 3D DNR, Smart IR
- ✔ 8MP 45X IR 800m Network PTZ Camera
- ✔ Up to 800m IR distance
- ✔ Smart H.265/H.264 video compression
- ✔ 2.0Tops Deep-learning engine
- ✔ Smart tracking of human/vehicle
- ✔ Smart detection and perimeter precaution
- ✔ Metal Body, IP67, -40°C~65°C, -40°C cold start
- ✔ PoE++ and DC24V /AC24V



Dimensions:



Specifications:

Model	PLC-9845-AI-IR80/PM
Image sensor	1/1.8" back-illuminated progressive scan CMOS
Mini. Illumination	Color : 0.005Lux @ (F1.2, AGC ON) ; B/W : 0.001 Lux @ (F1.2, AGC ON); 0Lux with IR
Image setting	Flip, Mirror, Saturation, Brightness, Contrast, Sharpness, AGC, and AWB adjusted by client software/browser
Shutter Speed	1/1 s – 1/100,000 s
White Balance	Auto/Manual/Indoor/Outdoor
Gain	Auto/Manual
Day & Night	IR Cut filter
Digital Zoom	16x
Privacy Mask	24 Programmable privacy masks
SNR	≥55dB
3D DNR	Auto/Manual
Exposure Enhancement	BLC, HLC, 120dB WDR, Gyro-based Image stabilizer
Picture overlay	Logo picture could be overlaid on video, JPG format
Focus length	f = 4.0 ~ 180 mm lens, 45x optical
Zoom Speed	Approx. 4.8s (optical zoom, wide-tele)
Field of View	Horizontal:59° to 2°(wide-tele); Vertical: 34° to 1.1°(wide-tele); Diagonal: 67° to 2.2°(wide-tele)
Working distance	wide: 1.5m ~ INF; tele: 1.5m ~ INF
Aperture Range	F1.2 ~ F4.5 (wide-tele), P-Iris, 210 steps
Pan Range	360°endless
Pan speed	Configurable, from 0.1~180°/s; Pre-set speed: 180°/s
Tilt Range	From -20° to 180° (auto-flip at 90°)
Tilt Speed	Configurable, from 0.1~ 150°/s, Pre-set speed: 150°/s
Proportional Zoom	Yes
Pre-set	300
Cruise	8 cruises, up to 16 pre-sets for each cruise
Trace	4 traces, record time over 3 minutes for each trace
Power off memory	Support
Action mode	Pre-set/Cruise/Trace/Auto Scan/Random Scan
3D Positioning	Support
PTZ Position Display	Support
Schedule Task	Pre-set/Cruise/Trace/Random Scan/Boundary Scanning /Dome reboot
IR Distance	800m distance
Smart IR	Yes
Max Resolution	4096× 2160
Main stream	4096× 2160, 3840× 2160, 2560× 1440, 2048× 1536, 1920× 1080,1280× 720(25/30fps)
Sub stream	25fps (704 × 576, 640 × 480, 352 × 288) ; 30fps (704 × 480, 640 × 480, 352 × 240)

Third Stream	25fps (1920 × 1080, 1280 × 960, 1280 × 720, 704 × 576, 640 × 480, 352 × 288) 30fps (1920 × 1080, 1280 × 960, 1280 × 720, 704 × 480, 640 × 480, 352 × 240)
SVC	Yes
Video compression	H.265+/H.265/H.264/MJPEG
Audio compression	G.711 A/U
Protocols	HTTP, HTTPS, IPv4/IPv6, 802.1x, QoS, FTP, SMTP, UPnP, SNMP, DNS, DDNS, NTP, RTSP, RTCP, RTP, TCP/IP, UDP, IGMP, ICMP, DHCP, PPPoE, RTCP, RTP, TCP/IP, UDP, IGMP, ICMP, DHCP, PPPoE
Simultaneous live view	Up to 6 channels
User / Host	Up to 16 users, 3 levels: Administrator, Advanced User and Normal User
Security Measures	User authentication (ID and PW), Host authentication (MAC address); HTTPS encryption, IEEE802.1x port-based network access control; IP address filtering
Basic event	Motion detection, video tampering alarm, exception (network disconnected, IP address conflict, SD full, SD error)
Face detection	Support detecting up to 30 faces at the same time. Support detecting, tracking, capturing, grading, selecting of face in motion, and output the best face picture of the face.
Road Traffic	Support vehicle detection (license plate number, vehicle model, and vehicle colour Recognition)
Smart Detection	Intrusion detection, Line crossing detection, Region entrance detection, Region exiting detection, Object removal detection, (object left/missing), Scene change detection, Support alarm triggering by human or vehicle, filtering flag/animal.
Smart Tracking	Auto Tracking (human or vehicle); Click and Tracking on human/vehicle
Alarm Interface	7CH alarm input; 2CH alarm output
Audio Interface	1CH audio input, 2 to 2.4v[p-p] 1KΩ ±10%; 1CH audio output (line out), impedance: 600Ω
Alarm Linkage	Alarm actions, such as Preset, Cruise, Trace, Memory Card Video Record, Trigger Recording, Notify Surveillance Center, Upload to FTP/Memory Card, Send Email, etc.
Network Interface	1 RJ45 10M/100M Adaptive Ethernet (PoE 802.3.bt,class 7)
CVBS	Yes, 1 BNC connector
RS 485	Pelco-D / P protocol, custom protocols available
Storage	One Memory card slot, support microSD/SDHC/SDXC, up to 256G
API	ONVIF, support POLLO SDK and third-party management platform
Client	PVMS Plus and the third-party client
Web Browser	IE (8-11)
Power	AC24V, DC24V, PoE++ (802.3.bt, class 7), (Max 50W, include IR on, Heater on, Fan working)
Working condition	-40°C ~ 65°C (-40°F ~ 149°F),90%RH less (non-condensing), Cold start at - 40°C
Storage condition	-40°C ~ 70°C; ≤95% RH
Protection	IP67, IK10,6000V Lightning Protection, Surge Protection and Voltage Transient Protection
Material	Aluminium Alloy
Dimensions	Φ 278mm x H 435mm (Φ 10.94" x 17.12")
Weight	Approx. 9 Kg (19.84 lb.)
Certification	IP67, IK10, ROHS, CE, FC