

pöllö 
Prime Series



4MP 50X PTZ

PLC-9450-AI-IR80/PM

www.pollo.net.au

info@pollo.net.au



Smart Tracking



Starlight



True WDR



VCA



3D DNR



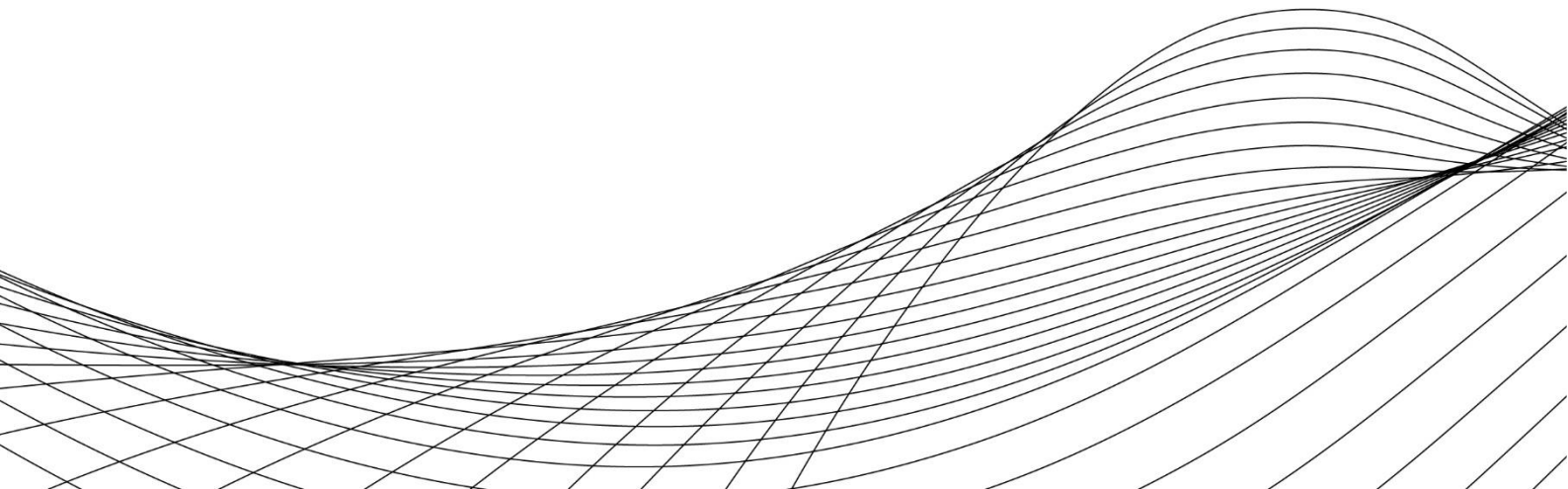
PoE++



IP67



H.265

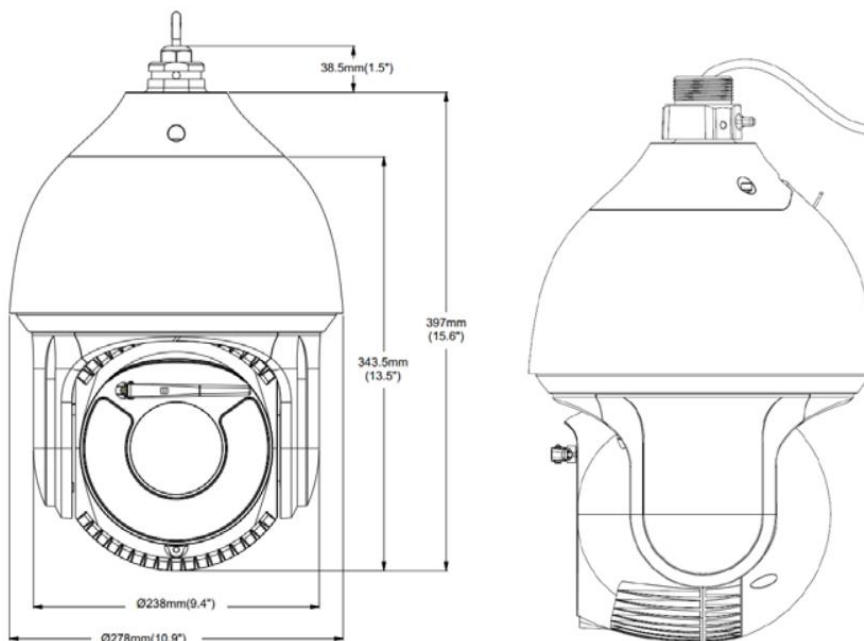


Key Features:

- ✔ 1/1.8" progressive scan CMOS
- ✔ Up to 4MP (2560×1440) resolution.
- ✔ Mini illumination:
- ✔ Colour: 0.004lux @ (F1.4 AGC ON)
- ✔ B/W: 0.0008 lux@ (F1.4 AGC ON)
- ✔ 0 Lux with IR
- ✔ 50x ultra zoom lens
- ✔ 120 dB WDR, 3D DNR, Smart IR
- ✔ Up to 800m IR distance
- ✔ Smart H.265/H.264 video compression
- ✔ 2.0 Tops Deep-learning Engine
- ✔ Smart detection & tracking of human/vehicle,
- ✔ Structured information: gender, glass, shoes, etc
- ✔ Metal Body, IP67, -40°C~65°C, -40°C cold start
- ✔ PoE++ and DC/AC24V



Dimensions:



Specifications:

Model	PLC-9450-AI-IR80/PM
Image sensor	1/1.8" progressive scan CMOS
Mini. Illumination	Color : 0.004Lux @ (F1.4, AGC ON) ; B/W : 0.0008 Lux @ (F1.4, AGC ON); 0Lux with IR
Image setting	Flip, Mirror, Saturation, Brightness, Contrast, Sharpness, AGC, and AWB adjusted by client software/browser
Shutter Speed	1/1 s – 1/10,000 s
White Balance	Auto/Manual/Indoor/Outdoor
Gain	Auto/Manual
Day & Night	IR Cut filter
Digital Zoom	16x
Privacy Mask	4 Programmable privacy masks
3D DNR	Auto/Manual
BLC	Yes
HLC	Yes
WDR	120 dB
Defog	Electronic
Regional Exposure	No
Picture overlay	Logo picture could be overlaid on video with 128x128pixels,24bits BMP format
Focus length	f=6~300 mm lens,50x optical
Zoom Speed	Approx. 9s (optical zoom, wide-tele)
Field of View	Horizontal: 65.3° to 1.7°(wide-tele); Vertical: 38.6° to 1.0°(wide-tele); Diagonal: 2.9° to 2.0°(wide-tele)
Working distance	wide: 1.0m ~ INF; tele: 1.5m ~ INF
Aperture Range	F1.4 ~ F4.2 (wide-tele), P-Iris, 64 F-Stops
Pan Range	360°endless
Pan speed	Configurable, from 0.1~180°/s; pre-set speed: 180°/s
Tilt Range	From -20° to 180° (auto-flip at 90°)
Tilt Speed	Configurable, from 0.1~ 150°/s, pre-set speed: 150°/s
Proportional Zoom	Yes
Pre-set	300
Cruise	8 cruises, up to 16 pre-sets for each cruise
Track	4 tracks, record time over 3 minutes for each track
Power off memory	Support
Action mode	pre-set/Cruise/Track/Auto Scan/Random Scan
3D Positioning	Support
PTZ Position Display	Support
Schedule Task	pre-set/Cruise/Track/Random Scan/Boundary Scanning /Dome reboot
IR Distance	800m distance, 5groups of 18 IR LED Arrays
Smart IR	Yes
Max Resolution	2560×1440
Main stream	2560×1440,2048×1536,1920×1080,1280×720 (25/30fps)

Sub stream	25fps (704 × 576, 640 × 480, 352 × 288); 30fps (704 × 480, 640 × 480, 352 × 240)
Third Stream	25fps (1920 × 1080, 1280 × 960, 1280 × 720, 704 × 576, 640 × 480, 352 × 288) 30fps (1920 × 1080, 1280 × 960, 1280 × 720, 704 × 480, 640 × 480, 352 × 240)
SVC	Yes
Video compression	Smart H.265/H.264/MJPEG
Audio compression	G.711 A/U
Audio Enhancement	No
Protocols	HTTP, HTTPS, IPv4/IPv6, 802.1x, QoS, FTP, SMTP, UPnP, SNMP, DNS, DDNS, NTP, RTSP, RTCP, RTP, TCP/IP, UDP, IGMP, ICMP, DHCP, PPPoE
Simultaneous live view	Up to 6 channels
User / Host	Up to 16 users, 3 levels: Administrator, Advanced User and Normal User
Security Measures	User authentication (ID and PW), Host authentication (MAC address); HTTPS encryption, IEEE802.1x port-based network access control; IP address filtering
Basic event	Motion detection, video tampering alarm, exception (network disconnected, IP address conflict, SD full, SD error)
Face recognize /compare	Default off, Max 60 human faces per second. Support clicks and capture (Next version)
Smart Detection	Intrusion detection, Line crossing detection, Region entrance/exiting detection, Unattended baggage detection, Object removal detection, Scene change detection, Support alarm triggering by human or vehicle, filtering flag/animal.
Smart Tracking	Auto Tracking (human or vehicle); Click and Tracking on human/vehicle (Next version)
Alarm Interface	7CH alarm input; 2CH alarm output
Audio Interface	1CH audio input, 2 to 2.4v[p-p] 1KΩ ±10%; 1CH audio output (line out), impedance: 600Ω
Alarm Linkage	Alarm actions, such as pre-set, Cruise, Track, Memory Card Video Record, Trigger Recording, Notify Surveillance Center, Upload to FTP/Memory Card, Send Email, etc.
Network Interface	1 RJ45 10M/100M Adaptive Ethernet (Support PoE 802.3.bt, class 7)
CVBS	Yes, 1 BNC connector
RS 485	Pelco-D / P protocol, custom protocols available
Storage	One Memory card slot, support microSD/SDHC/SDXC, up to 256G
API	ONVIF, support POLLO SDK and third-party management platform
Client	PVMS Plus and the third-party client
Web Browser	IE (8-11); Firefox (ver44 and early); Chrome (ver76 and early); Not support Safari
Power	AC24V, DC24V, PoE++ (802.3.bt, class 7), (Max 50W, include IR on, Heater on, Fan working)
Working condition	-40°C ~ 65°C (-40°F ~ 149°F),90%RH less (non-condensing), Cold start at - 40°C
Storage condition	-40°C ~ 70°C; ≤95% RH
Protection	IP67, IK10,6000V Lightning Protection, Surge Protection and Voltage Transient Protection
Material	Aluminium Alloy
Dimensions	Φ 278mm× H 435mm (Φ 10.94" x 17.12")
Weight	Approx. 9 Kg (19.84 lb.)
Certification	IP67, IK10, ROHS, CE, FC