

pöllö   
**Prime Series**



**4MP 45X PTZ**

**PLC-9445-AI-IR50/PM**

[www.pollo.net.au](http://www.pollo.net.au)

[info@pollo.net.au](mailto:info@pollo.net.au)



Smart Tracking



Starlight



True WDR



VCA



3D DNR



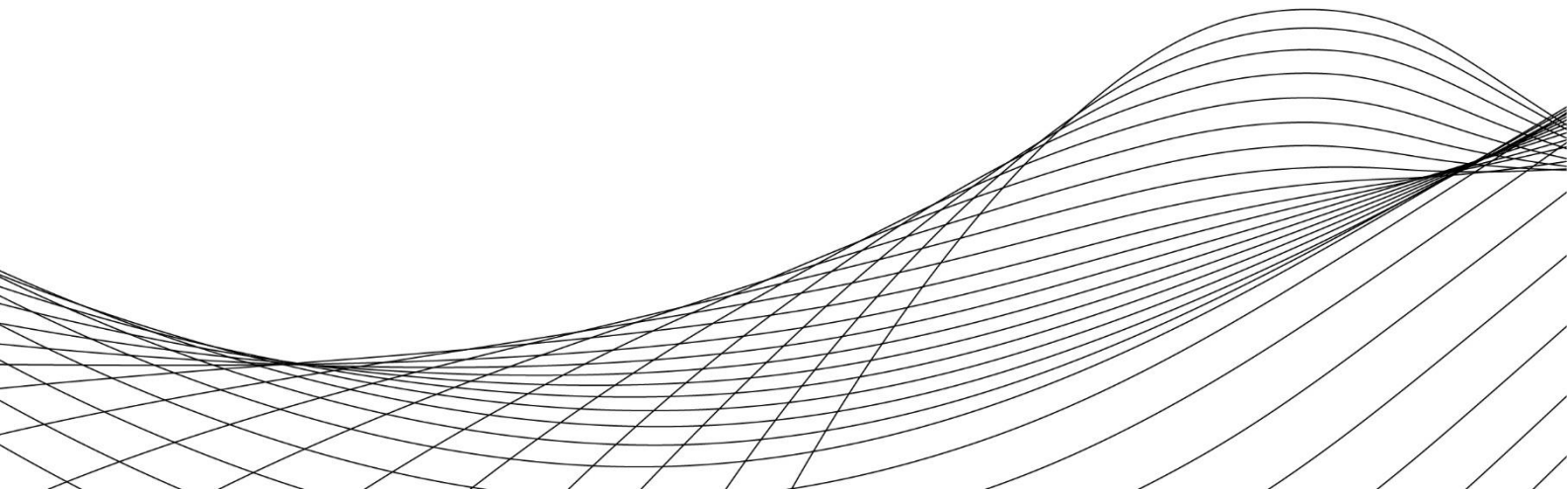
PoE++



IP67



H.265

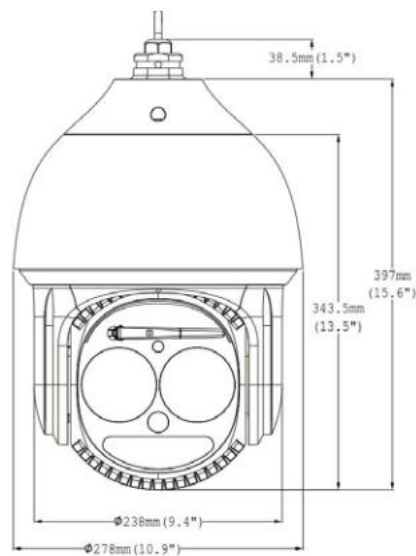


## Key Features:

- ✔ 1/1.8" progressive scan CMOS
- ✔ Up to 2560x1440 resolution
- ✔ Mini illumination:
  - Color: 0.002 lux @ (F1.5 AGC ON)
  - B/W: 0.0004 lux@ (F1.5 AGC ON)
  - 0 Lux with IR
- ✔ 45x optical zoom, 16x digital zoom
- ✔ 120 dB WDR, 3D DNR, Smart IR
- ✔ Up to 500m IR distance
- ✔ Smart H.265/H.264 video compression
- ✔ 1.0 Tops Deep-learning Engine
- ✔ Smart tracking of human/vehicle
- ✔ Smart detection and perimeter protection
- ✔ IP67, -40°C~65°C, ADC12 + PC/GF
- ✔ PoE+ (802.3.at, class 3) and DC12V
- ✔ ONVIF, API and SDK



## Dimensions:



Unit: inch/mm

## Specifications:



<b>Model</b>	<b>PLC-9445-IR50/PM</b>
<b>Image Sensor</b>	1 / 1.8 "progressive scan CMOS
<b>Min. Illumination</b>	Colour: 0.005 lux @F1.5, AGC ON B/W: 0.001 lux @F1.5, AGC ON 0 lux with laser
<b>Shutter Time</b>	50Hz: 1 / 1 s ~ 1 / 25, 000 s; 60Hz: 1 / 1 s ~ 1 / 30, 000 s
<b>White Balance</b>	Auto/Manual/ATW (Auto-tracking White Balance)/Indoor/Outdoor/Fluorescent Lamp/Sodium Lamp
<b>Gain</b>	Auto/Manual
<b>Day &amp; Night</b>	ICR cut filter
<b>Digital Zoom</b>	16x
<b>Privacy Mask</b>	24 programmable privacy masks
<b>Focus Mode</b>	Auto/Manual
<b>3D DNR</b>	Auto/Manual
<b>BLC</b>	Yes
<b>HLC</b>	Yes
<b>WDR</b>	120dB
<b>Optical Defog</b>	Yes
<b>EIS</b>	Yes
<b>Regional Exposure</b>	Yes
<b>Regional Focus</b>	Yes
<b>Focal Length</b>	f=4.0-180mm, 45x optical zoom
<b>Zoom Speed</b>	Approx. 4.4s (optical lens, Wide-TELE)
<b>Auto Iris</b>	Yes
<b>Field of View</b>	Horizontal field of view: 59.8° ~ 2.0° (Wide-TELE) Vertical field of view: 33.6° ~ 1.1° (Wide-TELE) Diagonal field of view: 68.6° ~ 2.3° (Wide-TELE)
<b>Working Distance</b>	Wide:1.0m~INF Tele: 1.5m~INF
<b>Aperture Range</b>	F1.55 (Wide) to F4.5 (TELE)
<b>Pan Range</b>	360° endless
<b>Pan Speed</b>	Configurable, from 0.1°/s ~ 180°/s; Pre-set speed: 180°/s
<b>Tilt Range</b>	From -20° to 90° (auto-flip)
<b>Tilt Speed</b>	Configurable, from 0.1°/s to 150°/s; pre-set speed: 150°/s
<b>Proportional Zoom</b>	Yes
<b>pre-set</b>	360
<b>Cruise</b>	8 cruises, up to 32 pre-sets for each cruises
<b>Trace</b>	4 traces, record time over 10 minutes for each trace

<b>Power-off Memory</b>	Yes
<b>Action Mode</b>	pre-set/Cruise/Trace/Auto Scan/Random Scan
<b>PTZ Position Display</b>	Yes
<b>pre-set Freezing</b>	Yes
<b>Scheduled Task</b>	pre-set/Cruise/Trace/Random Scan/Boundary Scanning
<b>Perimeter Protection</b>	Intrusion, Line crossing, Region Entrance, Region Exiting, Support alarm triggering by specified target types (human and vehicle) Filtering out mistaken alarm caused by target types, such as leaf, light, animal, flag, etc.
<b>Event Detection</b>	Face Capturing, Region Intrusion, Line Crossing, Region Entrance, Region Exiting, Lingering Detection, Crowd Density, Fast Moving Detection, Parking Detection, Object Removal Detection, Unattended Baggage Detection, Audio Exception Detection, Motion Detection, Video Tampering Detection
<b>Smart Tracking</b>	Manual Tracking, Auto Tracking (support tracking specified target types such as human and vehicle), Event Tracking
<b>Smart Record</b>	ANR (Automatic Network Replenishment), smart search
<b>ROI</b>	Eight fixed regions for each stream
<b>Laser Distance</b>	500m
<b>Smart IR</b>	Yes
<b>Max. Resolution</b>	2560×1440
<b>Main Stream</b>	50Hz:25fps (2560×1440,2048×1536,1920×1080,1280×720) 50fps (2560×1440,2048×1536,1920×1080,1280×720) 60Hz:30fps (2560×1440,2048×1536,1920×1080,1280×720) 60fps (2560×1440,2048×1536,1920×1080,1280×720)
<b>Sub Stream</b>	50Hz:25fps (704×576,640×480,352×288) 60Hz:30fps (704×576,640×480,352×288)
<b>Third Stream</b>	50Hz:25fps (640×480,480×240,352×288) 60Hz:30fps (640×480,480×240,352×288)
<b>SVC</b>	Yes
<b>Video Compression</b>	H.265 / H.264 / MJPEG
<b>Audio Compression</b>	G.711A/U
<b>Protocols</b>	HTTP, HTTPS, IPv4/IPv6, 802.1x, QoS, FTP, SMTP, UPnP, SNMP, DNS, DDNS, NTP, RTSP, RTCP, RTP, TCP/IP, UDP, IGMP, ICMP, DHCP, PPPoE
<b>Simultaneous Live View</b>	Up to 6 channels
<b>User/Host</b>	Up to 16 users, 3 levels: Administrator, Advanced User and Normal User
<b>Security Measures</b>	User authentication (ID and PW), Host authentication (MAC address); HTTPS encryption, IEEE802.1x port-based network access control; IP address filtering
<b>Alarm Interface</b>	7CH alarm input; 2CH alarm output
<b>Audio Interface</b>	1CH audio input, 2 to 2.4v[p-p] 1kΩ±10%; 1CH audio output (line out), impedance: 600Ω
<b>Network Interface</b>	1 RJ45 10M/100M Ethernet; (Hi-PoE optional)
<b>CVBS</b>	Optional
<b>RS 485</b>	Pelco-D / P protocol, custom protocols available
<b>Storage</b>	Built-in memory card slot, support microSD/SDHC/SDXC, up to 256G, ANR
<b>API</b>	ONVIF, support POLLO SDK and third-party management platform

<b>Client</b>	PVMS Plus
<b>Web Browser</b>	IE8-11, Chrome 31.0 to 44, Firefox 30.0 to 51
<b>Power</b>	AC24V/DC24V 5A (Max.75W, including max.18w for laser and max.12w for heater) Hi-PoE (Max.60W, including max.18w for laser and max.12w for heater)
<b>Working Temperature</b>	Outdoor: -50°C~65°C (-58°F~149°F)
<b>Cold-Start Temperature</b>	≥ -40°C(-40°F)
<b>Working Humidity</b>	≤ 90%
<b>Protection Level</b>	IP67, IK10, 6000V Lightning Protection, Surge Protection and Voltage Transient Protection
<b>Material</b>	ADC12, PC, PC+GF
<b>Dimensions</b>	Φ 278mm × 435mm (Φ 1094" ×17.12")
<b>Weight(net)</b>	Approx. 8.8KG (19.4lb)