

pöllö 
Prime Series



4MP 45X PTZ

PLC-9445-AI-IR30/PM

www.pollo.net.au

info@pollo.net.au



Smart Tracking



Starlight



True WDR



VCA



3D DNR



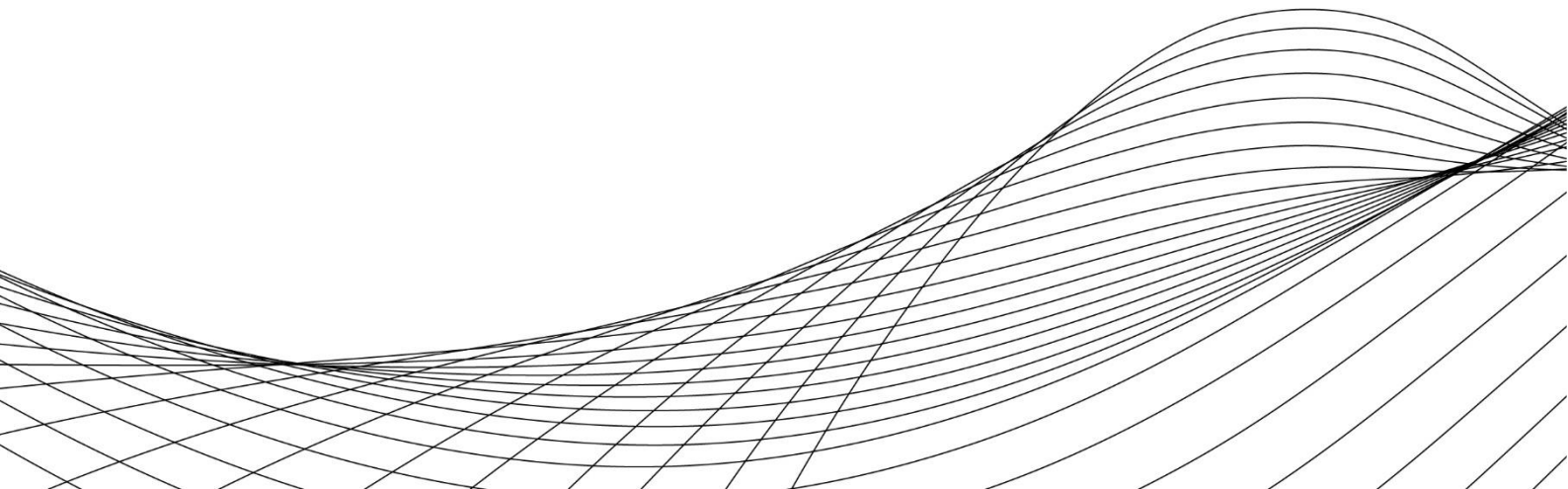
PoE++



IP67



H.265

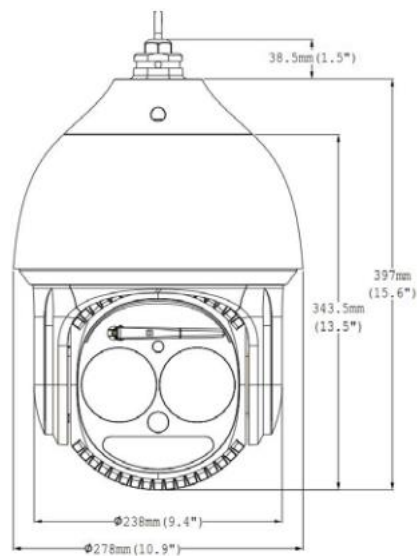


Key Features:

- ✔ 1/1.8" progressive scan CMOS
- ✔ Up to 2560x1440 resolution
- ✔ Mini illumination:
 - Color: 0.002 lux @ (F1.5 AGC ON)
 - B/W: 0.0004 lux@ (F1.5 AGC ON)
 - 0 Lux with IR
- ✔ 45x optical zoom, 16x digital zoom
- ✔ 120 dB WDR, 3D DNR, Smart IR
- ✔ Up to 300m IR distance
- ✔ Smart H.265/H.264 video compression
- ✔ 1.0 Tops Deep-learning Engine
- ✔ Smart tracking of human/vehicle
- ✔ Smart detection and perimeter protection
- ✔ IP67, -40°C~65°C, ADC12 + PC/GF
- ✔ PoE+ (802.3.at, class 3) and DC12V
- ✔ ONVIF, API and SDK



Dimensions:



Unit: inch/mm

Specifications:



Model	PLC-9445-IR30/PM
Image Sensor	1 / 1.8 "progressive scan CMOS
Min. Illumination	Colour: 0.005 lux @F1.5, AGC ON B/W: 0.001 lux @F1.5, AGC ON 0 lux with laser
Shutter Time	50Hz: 1 / 1 s ~ 1 / 25, 000 s; 60Hz: 1 / 1 s ~ 1 / 30, 000 s
White Balance	Auto/Manual/ATW (Auto-tracking White Balance)/Indoor/Outdoor/Fluorescent Lamp/Sodium Lamp
Gain	Auto/Manual
Day & Night	ICR cut filter
Digital Zoom	16x
Privacy Mask	24 programmable privacy masks
Focus Mode	Auto/Manual
3D DNR	Auto/Manual
BLC	Yes
HLC	Yes
WDR	120dB
Optical Defog	Yes
EIS	Yes
Regional Exposure	Yes
Regional Focus	Yes
Focal Length	f=4.0-180mm, 45x optical zoom
Zoom Speed	Approx. 4.4s (optical lens, Wide-TELE)
Auto Iris	Yes
Field of View	Horizontal field of view: 59.8° ~ 2.0° (Wide-TELE) Vertical field of view: 33.6° ~ 1.1° (Wide-TELE) Diagonal field of view: 68.6° ~ 2.3° (Wide-TELE)
Working Distance	Wide:1.0m~INF Tele: 1.5m~INF
Aperture Range	F1.55 (Wide) to F4.5 (TELE)
Pan Range	360° endless
Pan Speed	Configurable, from 0.1°/s ~ 180°/s; Pre-set speed: 180°/s
Tilt Range	From -20° to 90° (auto-flip)
Tilt Speed	Configurable, from 0.1°/s to 150°/s; pre-set speed: 150°/s
Proportional Zoom	Yes
pre-set	360
Cruise	8 cruises, up to 32 pre-sets for each cruises
Trace	4 traces, record time over 10 minutes for each trace

Power-off Memory	Yes
Action Mode	pre-set/Cruise/Trace/Auto Scan/Random Scan
PTZ Position Display	Yes
pre-set Freezing	Yes
Scheduled Task	pre-set/Cruise/Trace/Random Scan/Boundary Scanning
Perimeter Protection	Intrusion, Line crossing, Region Entrance, Region Exiting, Support alarm triggering by specified target types (human and vehicle) Filtering out mistaken alarm caused by target types, such as leaf, light, animal, flag, etc.
Event Detection	Face Capturing, Region Intrusion, Line Crossing, Region Entrance, Region Exiting, Lingering Detection, Crowd Density, Fast Moving Detection, Parking Detection, Object Removal Detection, Unattended Baggage Detection, Audio Exception Detection, Motion Detection, Video Tampering Detection
Smart Tracking	Manual Tracking, Auto Tracking (support tracking specified target types such as human and vehicle), Event Tracking
Smart Record	ANR (Automatic Network Replenishment), smart search
ROI	Eight fixed regions for each stream
Laser Distance	300m
Smart IR	Yes
Max. Resolution	2560×1440
Main Stream	50Hz:25fps (2560×1440,2048×1536,1920×1080,1280×720) 50fps (2560×1440,2048×1536,1920×1080,1280×720) 60Hz:30fps (2560×1440,2048×1536,1920×1080,1280×720) 60fps (2560×1440,2048×1536,1920×1080,1280×720)
Sub Stream	50Hz:25fps (704×576,640×480,352×288) 60Hz:30fps (704×576,640×480,352×288)
Third Stream	50Hz:25fps (640×480,480×240,352×288) 60Hz:30fps (640×480,480×240,352×288)
SVC	Yes
Video Compression	H.265 / H.264 / MJPEG
Audio Compression	G.711A/U
Protocols	HTTP, HTTPS, IPv4/IPv6, 802.1x, QoS, FTP, SMTP, UPnP, SNMP, DNS, DDNS, NTP, RTSP, RTCP, RTP, TCP/IP, UDP, IGMP, ICMP, DHCP, PPPoE
Simultaneous Live View	Up to 6 channels
User/Host	Up to 16 users, 3 levels: Administrator, Advanced User and Normal User
Security Measures	User authentication (ID and PW), Host authentication (MAC address); HTTPS encryption, IEEE802.1x port-based network access control; IP address filtering
Alarm Interface	7CH alarm input; 2CH alarm output
Audio Interface	1CH audio input, 2 to 2.4v[p-p] 1kΩ±10%; 1CH audio output (line out), impedance: 600Ω
Network Interface	1 RJ45 10M/100M Ethernet; (Hi-PoE optional)
CVBS	Optional
RS 485	Pelco-D / P protocol, custom protocols available
Storage	Built-in memory card slot, support microSD/SDHC/SDXC, up to 256G, ANR
API	ONVIF, support POLLO SDK and third-party management platform

Client	PVMS Plus
Web Browser	IE8-11, Chrome 31.0 to 44, Firefox 30.0 to 51
Power	AC24V/DC24V 5A (Max.75W, including max.18w for laser and max.12w for heater) Hi-PoE (Max.60W, including max.18w for laser and max.12w for heater)
Working Temperature	Outdoor: -50°C~65°C (-58°F~149°F)
Cold-Start Temperature	≥ -40°C(-40°F)
Working Humidity	≤ 90%
Protection Level	IP67, IK10, 6000V Lightning Protection, Surge Protection and Voltage Transient Protection
Material	ADC12, PC, PC+GF
Dimensions	Φ 278mm × 435mm (Φ 10.94" × 17.12")
Weight(net)	Approx. 8.8KG (19.4lb)