

pöllö 
Prime Series



2MP 45X PTZ

PLC-9245-AI-IR50/PM

www.pollo.net.au

info@pollo.net.au



Smart Tracking



Starlight



True WDR



VCA



3D DNR



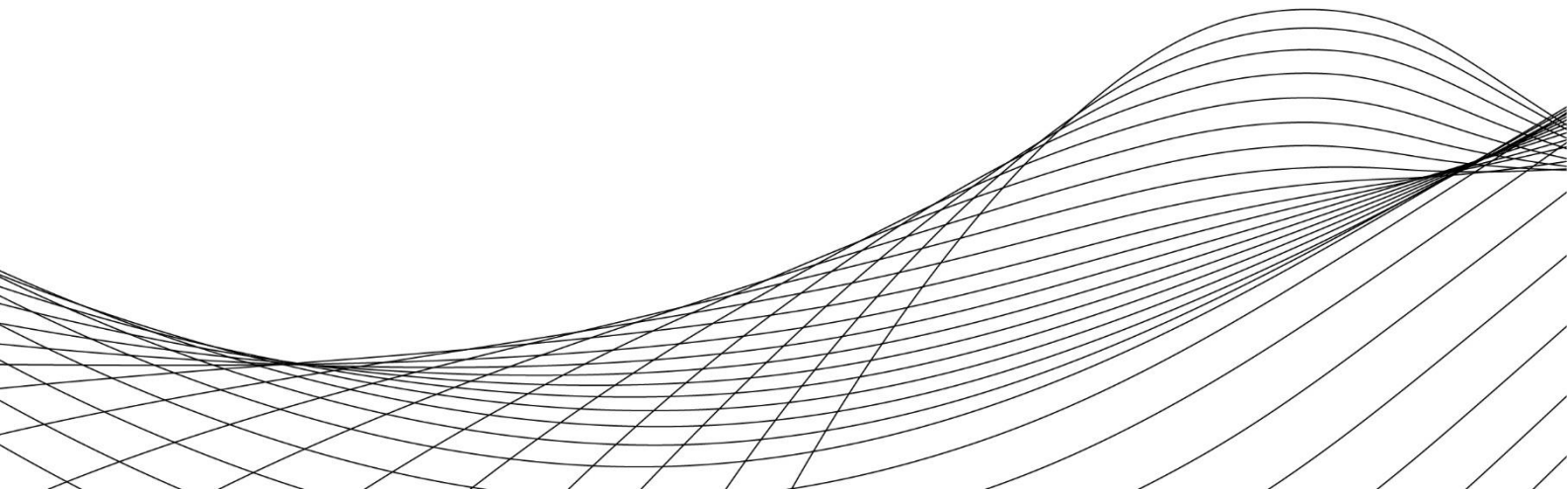
PoE++



IP67



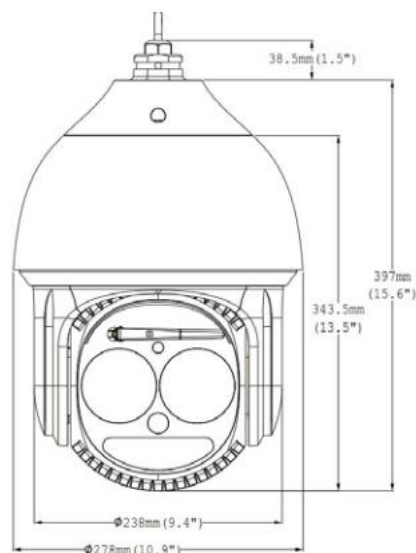
H.265



Key Features:

- ✔ 1/1.8" progressive scan CMOS
- ✔ Up to 1920x1080 resolution
- ✔ Mini illumination:
 - Color: 0.002 lux @ (F1.5 AGC ON)
 - B/W: 0.0004 lux@ (F1.5 AGC ON)
 - 0 Lux with IR
- ✔ 45x optical zoom, 16x digital zoom
- ✔ 120 dB WDR, 3D DNR, Smart IR
- ✔ Up to 500m IR distance
- ✔ Smart H.265/H.264 video compression
- ✔ 1.0 Tops Deep-learning Engine
- ✔ Smart tracking of human/vehicle
- ✔ Smart detection and perimeter protection
- ✔ IP67, -40°C~65°C, ADC12 + PC/GF
- ✔ PoE+ (802.3.at, class 3) and DC12V
- ✔ ONVIF, API and SDK

Dimensions:



Unit: inch/mm

Specifications:

Model	PLC-9245-AI-IR50/PM
Image sensor	1/1.8" progressive scan CMOS
Mini. Illumination	Color : 0.002Lux @ (F1.5, AGC ON) ; B/W : 0.0004Lux @(F1.5, AGC ON); 0Lux with IR
Image setting	Flip, Mirror, Saturation, Brightness, Contrast, Sharpness, AGC, and AWB adjusted by client software/browser
Shutter Speed	1/1 s – 1/10,000 s
White Balance	Auto/Manual/Indoor/Outdoor
Gain	Auto/Manual
Day & Night	IR Cut filter
Digital Zoom	16x
Privacy Mask	4 Programmable privacy masks
3D DNR	Auto/Manual
BLC	Yes
HLC	Yes
WDR	120 dB
Defog	Electronic
Picture overlay	Logo picture could be overlaid on video with 128x128pixels,24bits BMP format
Focus length	f=3.95 ~ 177.8 mm lens, 45x optical
Zoom Speed	Approx. 4.4s (optical zoom, wide-tele)
Field of View	Horizontal:59.8° to 2.3°(wide-tele); Vertical: 33.6° to 1.3°(wide-tele); Diagonal: 68.6° to 2.6°(wide-tele)
Working distance	wide: 1.0m ~ INF; tele: 1.5m ~ INF
Aperture Range	wide: 1.0m ~ INF; tele: 1.5m ~ INF
Pan Range	360°endless
Pan speed	Configurable, from 0.1~180°/s; Preset speed: 180°/s
Tilt Range	From -20° to 180° (auto-flip at 90°)
Tilt Speed	Configurable, from 0.1~ 150°/s, Preset speed: 150°/s
Proportional Zoom	Yes
Preset	300
Cruise	8 cruises, up to 16 presets for each cruise
Track	4 tracks, record time over 3 minutes for each track
Power off memory	Support
Action mode	Preset/Cruise/Track/Auto Scan/Random Scan
3D Positioning	Support
PTZ Position Display	Support
Schedule Task	Preset/Cruise/Track/Random Scan/Boundary Scanning /Dome reboot
IR Distance	500m
Smart IR	Yes, support facial exposure
Max Resolution	1920x1080
Main stream	1920 × 1080, 1280 × 960, 1280 × 720 (25/30fps)

Sub stream	25fps (704 × 576, 640 × 480, 352 × 288) 30fps (704 × 480, 640 × 480, 352 × 240)
Third Stream	25fps (1920 × 1080, 1280 × 960, 1280 × 720, 704 × 576, 640 × 480, 352 × 288) 30fps (1920 × 1080, 1280 × 960, 1280 × 720, 704 × 480, 640 × 480, 352 × 240)
SVC	Yes
Video compression	Smart H.265/H.264/MJPEG
Audio compression	G.711 A/U
Protocols	HTTP, HTTPS, IPv4/IPv6, 802.1x, QoS, FTP, SMTP, UPnP, SNMP, DNS, DDNS, NTP, RTSP, RTCP, RTP, TCP/IP, UDP, IGMP, ICMP, DHCP, PPPoE
Simultaneous live view	Up to 6 channels
User / Host	Up to 16 users, 3 levels: Administrator, Advanced User and Normal User
Security Measures	User authentication (ID and PW), Host authentication (MAC address); HTTPS encryption, IEEE802.1x port-based network access control; IP address filtering
Basic event	Motion detection, video tampering alarm, exception (network disconnected, IP address conflict, SD full, SD error)
Face recognizes	Default off, Max 30 human faces per second.
People Density	Not support by this software version.
Smart Detection	Intrusion detection, Line crossing detection, Region entrance detection, Region exiting detection, Unattended baggage detection, Object removal detection, Scene change detection, Support alarm triggering by human or vehicle, filtering flag/animal.
Smart Tracking	Manual Tracking, Auto Tracking (human or vehicle)
Alarm Interface	7CH alarm input; 2CH alarm output
Audio Interface	1CH audio input, 2 to 2.4v[p-p] 1KΩ ±10%; 1CH audio output (line out), impedance: 600Ω
Alarm Linkage	Alarm actions, such as Preset, Cruise, Track, Memory Card Video Record, Trigger Recording, Notify Surveillance Center, Upload to FTP/Memory Card, Send Email, etc.
Network Interface	1 RJ45 10M/100M Adaptive Ethernet (Support PoE 802.3.bt, class 7)
CVBS	Yes, 1 BNC connector
RS 485	Pelco-D / P protocol, custom protocols available
Storage	One Memory card slot, support microSD/SDHC/SDXC, up to 256G
API	ONVIF, support SDK and third-party management platform
Client	PVMS Plus and the third-party client
Web Browser	IE (8-11); Firefox(ver44 and early);Chrome(ver76 and early); Not support Safari
Power	AC24V, DC24V, PoE++ (802.3.bt, class 7), (Max 50W, include IR on, Heater on, Fan working)
Working condition	-40°C ~ 65°C (-40°F ~ 149°F),90%RH less (non-condensing), Cold start at - 40°C
Storage condition	-40°C ~ 70°C; ≤95% RH
Protection	IP67, IK10,6000V Lightning Protection, Surge Protection and Voltage Transient Protection
Material	Aluminium Alloy
Dimensions	Φ 278mm x H 435mm(Φ 10.94" x 17.12")
Weight	Approx. 8.8 Kg (19.4 lb.)
Certification	IP67, IK10,ROHS,CE, FC