

pöllö 
Prime Series



2MP 37X PTZ

PLC-9237-IR20/PM

www.pollo.net.au

info@pollo.net.au



Smart Tracking



Starlight



True WDR



VCA



3D DNR



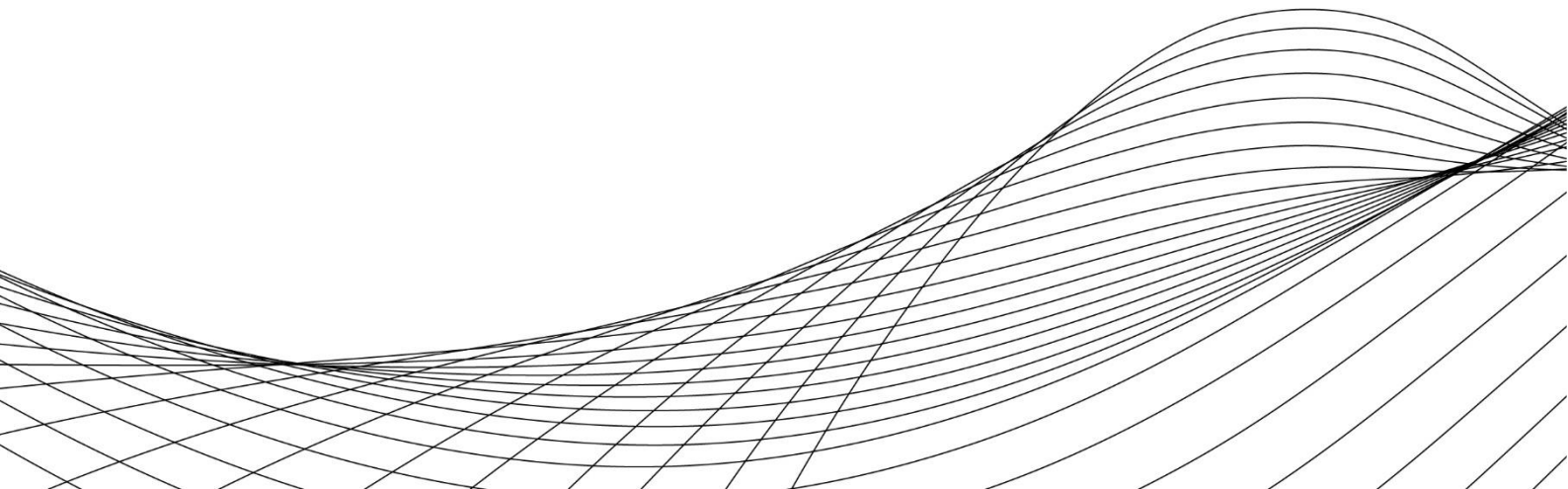
PoE++



IP67



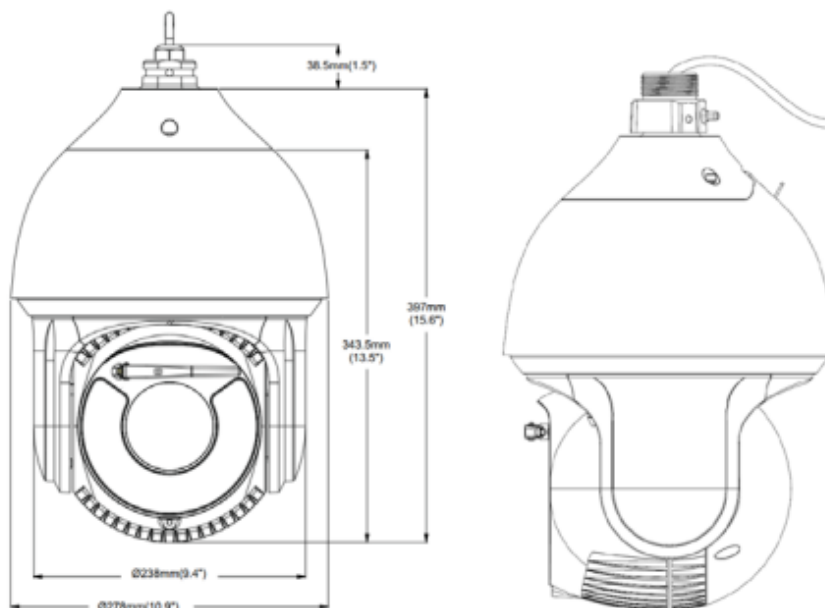
H.265



Key Features:

- ✔ 1/2.8" progressive scan CMOS
- ✔ Up to 1920×1080 resolution
- ✔ Mini illumination:
 - Colour: 0.005 lux @ (F1.6 AGC ON) B/W: 0.001 lux@ (F1.6 AGC ON) 0 Lux with IR
- ✔ 37x optical zoom, 16x digital zoom
- ✔ 120 dB WDR, 3D DNR, Smart IR
- ✔ Up to 200m IR distance
- ✔ Smart H.265/H.264 video compression
- ✔ 0.5Tops Deep-learning Engine, Dual Cortex-A12
- ✔ Smart tracking of human/vehicle
- ✔ Smart detection and perimeter protection
- ✔ IP67, -30°C~55°C, ADC12 + PC/GF
- ✔ PoE+, DC24V or AC24V power supply options
- ✔ ONVIF, API and SDK

Dimensions:



Specifications:

Model	PLC-9237-IR20/PM
Image sensor	1/2.8" progressive scan CMOS
Mini. Illumination	Colour 0.005Lux @ (F1.65 AGC ON) B/W 0.001Lux @ (F1.65 AGC ON); 0Lux with IR
Image setting	Flip, Mirror, Saturation, Brightness, Contrast, Sharpness, AGC, and AWB adjusted by client software/browser
Shutter Speed	1/1 s – 1/10,000 s
White Balance	Auto/Manual/Indoor/Outdoor
Gain	Auto/Manual
Day & Night	IR Cut filter
Digital Zoom	16x
Privacy Mask	4 Programmable privacy masks
3D DNR	Auto/Manual
BLC	Yes
HLC	Yes
WDR	120 dB
Defog	Electronic
EIS	Yes
Regional Exposure	No
Picture overlay	Logo picture could be overlaid on video with 128x128pixels, 24bits BMP format
Focus length	F=5.6 ~ 208 mm lens, 37x optical
Zoom Speed	Approx. 4.5s (optical zoom, wide-tele)
Field of View	Horizontal: 60° to 2.3° (wide -tele); Vertical: 40.5° to 1.4° (wide -tele); Diagonal: 68° to 2.7° (wide -tele)
Working distance	wide: 1.0m ~ INF; tele: 1.5m ~ INF
Aperture Range	F1.65 ~ F4.4 (wide-tele)
Pan Range	360° endless
Pan speed	Configurable, from 0.1 ~ 80°/s; Pre-set speed: 150°/s
Tilt Range	From -3° to 90°
Tilt Speed	Configurable, from 0.1 ~ 80°/s, Pre-set speed: 120°/s
Proportional Zoom	Yes
Pre-set	360
Cruise	8 cruises, up to 16 pre-sets for each cruise
Track	4 tracks, record time over 3 minutes for each track
Power off memory	Support
Action mode	pre-set/Cruise/Trace/Auto Scan/Random Scan
3D Positioning	Support
PTZ Position Display	Support
Schedule Task	Pre-set/Cruise/Trace/Random Scan/Boundary Scanning /Dome reboot
IR Distance	200m
Smart IR	Yes, support facial exposure
Max Resolution	1920x1080
Main stream	1920x1080, 1280x960, 1280x720 25/30fps

Sub stream	25fps (704 × 576, 640 × 480, 352 × 288) 30fps (704 × 480, 640 × 480, 352 × 240)
Third Stream	25fps (1920 × 1080, 1280 × 960, 1280 × 720, 704 × 576, 640 × 480, 352 × 288) 30fps (1920 × 1080, 1280 × 960, 1280 × 720, 704 × 480, 640 × 480, 352 × 240)
SVC	Yes
Video compression	Smart H.265+/H.265/H.264/MJPEG
Audio compression	G.711 A/U
Audio Enhancement	No
Protocols	HTTP, HTTPS, IPv4/IPv6, 802.1x, QoS, FTP, SMTP, UPnP, SNMP, DNS, DDNS, NTP, RTSP, RTCP, RTP, TCP/IP, UDP, IGMP, ICMP, DHCP, PPPoE
Simultaneous live view	Up to 6 channels
User / Host	Up to 16 users, 3 levels: Administrator, Advanced User and Normal User
Security Measures	User authentication (ID and PW), Host authentication (MAC address); HTTPS encryption, IEEE802.1x port-based network access control; IP address filtering
Basic event	Motion detection, video tampering alarm, exception (network disconnected, IP address conflict, SD full, SD error), defocus detection
Face recognize/compare	Default off, max 15 human faces per second.
People Density/LPR	Not support by this product
Smart Detection	Intrusion detection, Line crossing detection, Region entrance detection, Region exiting detection, Unattended baggage detection, Object removal detection, Scene change detection, Support alarm triggering by human or vehicle, filtering flag/animal.
Smart Tracking	Manual Tracking, Auto Tracking (human or vehicle by software setting)
Alarm Interface	1 Alarm input; 1 Alarm output
Audio Interface	1 audio input (mic in); 1 audio output, line level, impedance, 600Ω
Alarm Linkage	Alarm actions, such as pre-set, Cruise, Track, Memory Card Video Record, Trigger Recording, Notify Surveillance Center, Upload to FTP/Memory Card, Send Email, etc.
Network Interface	1 RJ45 10M/100M Adaptive Ethernet (Support PoE 802.3. at, class 3)
SD Card Slot	One MicroSD/SDHC/SDXC card slot, up to 256G
API	ONVIF, support Pollo SDK and third-party management platform
Client	PVMS Plus and the third-party client
Web Browser	IE8-11, Chrome41.0-44, Firefox30.0-51, Safari8.0-11
Power	DC24V, AC24V or PoE+ (802.3.at, class 3), (Max 30W, include IR, Heater, Fan working, max 9W for IR)
Working condition	-30°C ~ 60°C (-22°F ~ 140°F), 90%RH less (non -condensing), Cold start at - 25°C
Storage condition	-40°C ~ 65°C; ≤ 95% RH
Protection	IP67, 6000V Lightning Protection, Surge Protection and Voltage Transient Protection
Material	Aluminium Alloy + Plastic
Dimensions	Φ 209mm × 328mm (8.22" Φ × 12.91 ")
Weight	Approx. 3.8 Kg (8.38 lb.)
Certification	IP67, ROHS, CE, FC