

pöllö   
**Prime Series**



**2MP 32X PTZ**

**PLC-9232-IR15/PM**

[www.pollo.net.au](http://www.pollo.net.au)

[info@pollo.net.au](mailto:info@pollo.net.au)



Smart Tracking



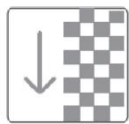
Starlight



True WDR



Auto Day/Night



3D DNR



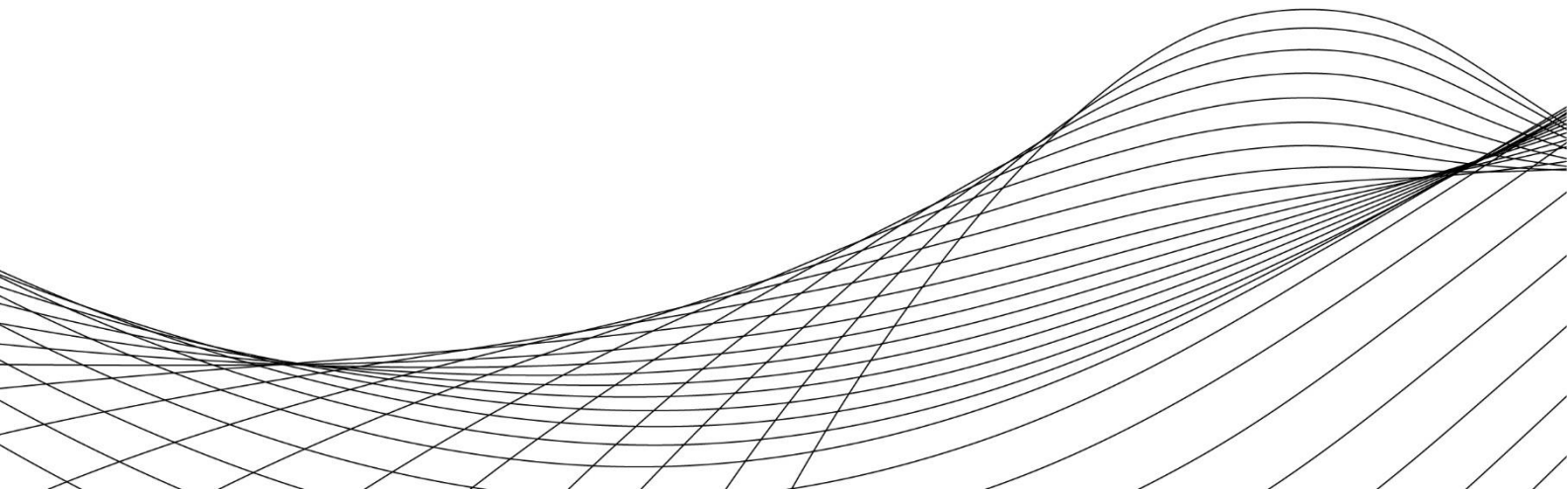
PoE+



IP66



H.265

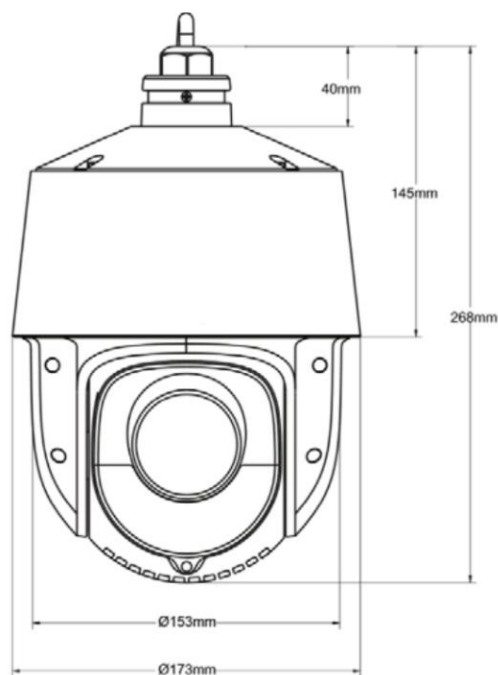




## Key Features:

- ✔ 1/2.8" progressive scan CMOS
- ✔ Up to 1920×1080 resolution
- ✔ Mini illumination:
  - Color: 0.005 lux @ (F1.6 AGC ON) B/W: 0.001 lux@ (F1.6 AGC ON) 0 Lux with IR
- ✔ 32x optical zoom, 16x digital zoom
- ✔ 140 dB WDR, 3D DNR, Smart IR
- ✔ Up to 150m IR distance
- ✔ Smart H.265, only 128Kbps stream at 1080P
- ✔ 0.5Tops Deep-learning Engine, Dual Cortex-A12
- ✔ Smart tracking of human/vehicle
- ✔ Smart detection and perimeter protection
- ✔ IP67, -30°C~55°C, ADC12 + PC/GF
- ✔ PoE+ (802.3.at, class 3) and DC12V
- ✔ ONVIF, API and SDK

## Dimensions:



## Specifications:

<b>Model</b>	<b>PLC-9432-IR15/PM</b>
<b>Image sensor</b>	1/2.8" progressive scan SONY CMOS
<b>Mini. Illumination</b>	Colour 0.005Lux @ (F1.65 AGC ON) B/W 0.001Lux @ (F1.65 AGC ON); 0Lux with IR
<b>Image setting</b>	Flip, Mirror, Saturation, Brightness, Contrast, Sharpness, AGC, and AWB adjusted by client software/browser
<b>Shutter Speed</b>	1/1 s – 1/10,000 s
<b>White Balance</b>	Auto/Manual/Indoor/Outdoor
<b>Gain</b>	Auto/Manual
<b>Day &amp; Night</b>	IR Cut filter
<b>Digital Zoom</b>	16x
<b>Privacy Mask</b>	4 Programmable privacy masks
<b>3D DNR</b>	Auto/Manual
<b>BLC</b>	Yes
<b>HLC</b>	Yes
<b>WDR</b>	140 dB
<b>Defog</b>	Electronic
<b>Regional Exposure</b>	No
<b>Picture overlay</b>	Logo picture could be overlaid on video with 128x128pixels, 24bits BMP format
<b>Focus length</b>	f=4.5-144mm lens, 32x optical zoom
<b>Zoom Speed</b>	Approx. 4.5s (optical zoom, wide-tele)
<b>Field of View</b>	Horizontal: 60° to 2.3°(wide-tele); Vertical: 40.5° to 1.4°(wide-tele); Diagonal: 68° to 2.7°(wide-tele)
<b>Working distance</b>	wide: 1.0m ~ INF; tele: 1.5m ~ INF
<b>Aperture Range</b>	F1.65 ~ F4.4 (wide-tele)
<b>Pan Range</b>	360° endless
<b>Pan speed</b>	Configurable, from 0.1~80°/s; Pre-set speed: 150°/s
<b>Tilt Range</b>	From -3° to 90°
<b>Tilt Speed</b>	Configurable, from 0.1~ 80°/s, pre-set speed: 120°/s
<b>Proportional Zoom</b>	Yes
<b>pre-set</b>	360
<b>Cruise</b>	8 cruises, up to 16 pre-sets for each cruise
<b>Track</b>	4 tracks, record time over 3 minutes for each track
<b>Power off memory</b>	Support
<b>Action mode</b>	pre-set/Cruise/Track/Auto Scan/Random Scan
<b>3D Positioning</b>	Support
<b>PTZ Position Display</b>	Support
<b>Schedule Task</b>	pre-set/Cruise/Track/Random Scan/Boundary Scanning /Dome reboot
<b>IR Distance</b>	150m
<b>Smart IR</b>	Yes, support facial exposure
<b>Max Resolution</b>	1920x1080
<b>Main stream</b>	1920x1080, 1280x960, 1280x720 25/30fps

<b>Sub stream</b>	25fps (704 × 576, 640 × 480, 352 × 288) 30fps (704 × 480, 640 × 480, 352 × 240)
<b>Third Stream</b>	25fps (1920 × 1080, 1280 × 960, 1280 × 720, 704 × 576, 640 × 480, 352 × 288) 30fps (1920 × 1080, 1280 × 960, 1280 × 720, 704 × 480, 640 × 480, 352 × 240)
<b>SVC</b>	Yes
<b>Video compression</b>	Smart H.265+/H.265/H.264/MJPEG
<b>Audio compression</b>	G.711 A/U
<b>Protocols</b>	HTTP, HTTPS, IPv4/IPv6, 802.1x, QoS, FTP, SMTP, UPnP, SNMP, DNS, DDNS, NTP, RTSP, RTCP, RTP, TCP/IP, UDP, IGMP, ICMP, DHCP, PPPoE
<b>Simultaneous live view</b>	Up to 6 channels
<b>User / Host</b>	Up to 16 users, 3 levels: Administrator, Advanced User and Normal User
<b>Security Measures</b>	User authentication (ID and PW), Host authentication (MAC address); HTTPS encryption, IEEE802.1x port-based network access control; IP address filtering
<b>Basic event</b>	Motion detection, exception (network disconnected, IP address conflict, SD full, SD error),
<b>Face recognizes</b>	Default off, max 15 human faces per second
<b>Face compare</b>	Default off
<b>People Density</b>	Not support by this version
<b>Smart Detection</b>	Intrusion detection, Line crossing detection, Region entrance detection, Region exiting detection, Object removal detection (object left/missing), Scene change detection, Video blur detection, Video colour cast detection Support alarm triggering by human or vehicle, filtering flag/animal.
<b>Smart Tracking</b>	Manual Tracking, Auto Tracking (human or vehicle by software setting)
<b>Alarm Interface</b>	1 Alarm input; 1 Alarm output
<b>Audio Interface</b>	1 audio input (mic in); 1 audio output, line level, impedance,600Ω
<b>Alarm Linkage</b>	Alarm actions, such as pre-set, Cruise, Track, Memory Card Video Record, Trigger Recording, Notify Surveillance Center, Upload to FTP/Memory Card, Send Email, etc
<b>Network Interface</b>	1 RJ45 10M/100M Adaptive Ethernet (Support PoE 802.3.at, class 3)
<b>Storage</b>	One MicroSD/SDHC/SDXC card slot, up to 256G
<b>API</b>	ONVIF, support Pollo SDK and third-party management platform
<b>Client</b>	PVMS Plus and the third-party client
<b>Web Browser</b>	IE8-11, Chrome41.0-44, Firefox30.0-51, Safari8.0-11
<b>Power</b>	DC24V, AC24V or PoE+ (802.3.at, class 3), (Max 30W, include IR, Heater, Fan working, max 9W for IR)
<b>Working condition</b>	-30°C ~ 60°C (-22°F ~ 140°F),90%RH less (non-condensing), Cold start at - 25°C
<b>Storage condition</b>	-40°C ~ 65°C; ≤ 95% RH
<b>Protection</b>	IP67, 6000V Lightning Protection, Surge Protection and Voltage Transient Protection
<b>Material</b>	Aluminium Alloy; PC+GF10%
<b>Dimensions</b>	Φ 209mm × 328mm (8.22" Φ × 12.91 ")
<b>Weight</b>	Approx. 3.8 Kg (8.38 lb.)
<b>Certification</b>	IP67, ROHS, CE, FC