

pöllö   
*Prime Series*



**THERMAL NETWORK DOME CAMERA**

**PLC-435M-THC-IR3/PM**

[www.pollo.net.au](http://www.pollo.net.au)

[info@pollo.net.au](mailto:info@pollo.net.au)

## Key Features:



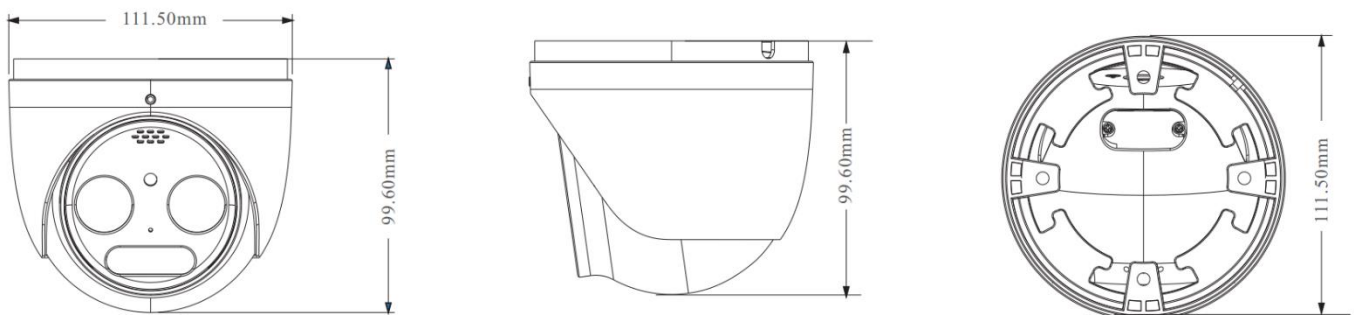
## Thermal

- ❖ Resolution: 256 192
- ❖ 12μm, NETD: 50mK (@25 C, F#=1.0)
- ❖ Temperature range: -20°C~150°C
- ❖ Dual image fusion (thermal image and optical image)
- ❖ Multi-palette: white hot, black hot, iron oxide red, etc.
- ❖ Intelligent analytics: region intrusion detection, line crossing detection, target counting
- ❖ Sound and light warning, temperature exception alarm, fire detection

## Optical

- ❖ 5MP (2592 × 1944) @30 fps
- ❖ ICR auto switch, true day/night vision
- ❖ 20~30m IR night view distance
- ❖ 3DDNR, true WDR (120dB), HLC, BLC, Smart IR, distortion image correction, ROI etc.
- ❖ Intelligent analytics: intrusion detection (human/vehicle classification), line crossing detection (human/vehicle classification), scene change detection, video exception detection, target counting (human/vehicle classification), face detection, face capture

## Dimensions:



## Specifications:



<b>Model</b>	<b>PLC-435M-THC-IR3 PM</b>
<b>Detector Type</b>	12 $\mu$ m 256 $\times$ 192 Vanadium oxide uncooled focal plane detector
<b>Response Waveband</b>	8 $\mu$ m-14 $\mu$ m
<b>NETD</b>	$\leq$ 50mK (@25 $^{\circ}$ C, F#=1.0)
<b>IRIS Type</b>	Fixed Iris
<b>Lens</b>	3.2mm@F1.1, 7mm@F1.0
<b>Field of View(H<math>\times</math>V)</b>	56 $^{\circ}$ $\times$ 42.2 $^{\circ}$ , 24.8 $^{\circ}$ $\times$ 18.7 $^{\circ}$
<b>Min. Focusing Distance</b>	0.5 m 1.1m
<b>Colour Palettes</b>	Black hot, White hot, iron oxide red, etc.
<b>Image Sensor</b>	1/ 2.7" CMOS
<b>Image Size</b>	2592 $\times$ 1944
<b>Electronic Shutter</b>	1 s $\sim$ 1 / 100000 s
<b>Iris Type</b>	Fixed Iris
<b>Min. Illumination</b>	0.02 lux@F1.6, AGC ON; 0 lux with IR 0.03 lux@F2.0, AGC ON; 0 lux with IR
<b>Lens</b>	4mm@F1.6, 8mm@F2.0
<b>Field of View(H<math>\times</math>V)</b>	81 $^{\circ}$ $\times$ 56.7 $^{\circ}$ , 38 $^{\circ}$ $\times$ 27.5 $^{\circ}$
<b>Wide Dynamic Range</b>	120dB
<b>BLC</b>	Yes
<b>HLC</b>	Yes
<b>Defog</b>	Yes
<b>Digital NR</b>	2D/3D DNR
<b>Video Compression</b>	H.265 +/ H.265 /H.264+ /H.264 / MJPEG
<b>H.264 Compression Standard</b>	Baseline Profile / Main Profile / High Profile
<b>Bit Rate Type</b>	VBR/CBR
<b>Bit Rate</b>	128Kbps $\sim$ 8Mbps
<b>Resolution</b>	Thermal: 256 $\times$ 192 Optical: 5MP (2592 $\times$ 1944 ), 4MP ( 2592 $\times$ 1520 ), 2K ( 2560 $\times$ 1440 ), 3MP ( 2304 $\times$ 1296 ),1080P ( 1920 $\times$ 1080 ), 720P ( 1280 $\times$ 720 ), D1, CIF, 480 $\times$ 240
<b>Main Stream</b>	Optical: 60Hz: 5MP/4MP/2K/3MP/1080P/720P (1 $\sim$ 30fps); 50Hz: 5MP/4MP/2K/3MP/1080P/720P (1 $\sim$ 25fps) Thermal: 60Hz: 256 $\times$ 192 (the resolution of output image is 720P) (1 $\sim$ 30fps); 50Hz: 256 $\times$ 192 (the resolution of output image is 720P) (1 $\sim$ 25fps)
<b>Sub Stream</b>	Optical: 60Hz: 720P/D1/CIF (1 $\sim$ 30fps); 50Hz: 720P/D1/CIF (1 $\sim$ 25fps) Thermal: 60Hz: 256 $\times$ 192 (the resolution of output image is 640 $\times$ 480) (1 $\sim$ 30fps); 50Hz: 256 $\times$ 192 (the resolution of output image is 640 $\times$ 480) (1 $\sim$ 25fps)

<b>Third Stream</b>	Optical: 60Hz: D1/CIF/480 × 240(1~30fps); 50Hz: D1/CIF/480 × 240(1~25fps) Thermal: 60Hz: 256 × 192 (the resolution of output image is 640×480) (1~30fps); 50Hz: 256 × 192 (the resolution of output image is 640×480) (1~25fps)
<b>Image Settings</b>	ROI, Saturation, Brightness, Hue, Contrast, Wide Dynamic, Sharpness, NR, etc. adjustable through client software or web browser
<b>Dual Image Fusion</b>	Display the details of optical channel on thermal channel
<b>Video Overlay</b>	The thermal image can be overlaid on visible light image
<b>Audio Compression</b>	G711A/U
<b>ROI</b>	8 regions; each ROI to be configured separately
<b>Network</b>	RJ45
<b>Video Output</b>	No
<b>Audio</b>	1CH 3.5mm MIC/LIN in audio input; 1CH audio output; 1CH built-in speaker
<b>Storage</b>	Built-in micro-SD card slot; up to 256GB
<b>Reset</b>	Yes
<b>Alarm</b>	1CH alarm input; 1CH alarm output
<b>Temperature Range</b>	-20°C~150°C (-4°F~302°F)
<b>Temperature Accuracy</b>	±8°C
<b>Temperature alarm</b>	Over temperature alarm, low temperature alarm
<b>Temperature Measurement</b>	12 rules in total (10 points, 2 lines)
<b>Fire Detection</b>	Dynamic fire detection, up to 10 fire points detectable
<b>Remote Monitoring</b>	IE browser, CMS
<b>Online Connection</b>	Support simultaneous monitoring for up to 10 users; Support multi-stream real time transmission
<b>Network Protocol</b>	UDP, IPv4, IPv6, DHCP, NTP, RTSP, RTP, RTCP, ICMP, IGMP, PPPoE, DDNS, SMTP, FTP, SNMP, HTTP, 802.1x, UPnP, HTTPs, QoS
<b>Interface Protocol</b>	ONVIF
<b>Storage</b>	Network remote storage; micro-SD card storage
<b>Smart Alarm</b>	Motion detection, SD card error, SD card full, IP address conflict, Cable connection
<b>Intelligent Analytics</b>	Optical: intrusion detection (human/vehicle classification), line crossing detection (human/vehicle classification), scene change detection, video exception detection, target counting (human/vehicle classification), face detection, face capture Thermal: Line crossing detection, region intrusion detection, target counting, fire detection, temperature exception alarm
<b>General Function</b>	Watermark, IP address filtering, video mask, heartbeat, password protection, image distortion correction
<b>Sound &amp; Light Warning</b>	White light flashing alarm and sound alarm supported
<b>PoE</b>	Yes, IEEE8023af, class0
<b>IR Distance</b>	20~ 30
<b>Protection Grade</b>	IP67
<b>Power Supply</b>	DC12V / PoE
<b>Power Consumption</b>	< 9W
<b>Operating Environment</b>	Humidity: less than 95 % (non-condensing) -30 °C ~ 60 °C (-22°F~140°F)

<b>Certificate</b>	CE, FCC
<b>Environment Protection</b>	Complies with Directive EU RoHS, WEEE (2012/19/EU), directive 94/62/EC and REACH(EC1907/2006)
<b>Dimensions ( mm )</b>	217.8 × 80.5 × 80.3
<b>Weight ( net )</b>	Approx. 0.7KG
<b>Installation</b>	Ceiling mounting; Wall mounting