

pöllö 
Prime Series

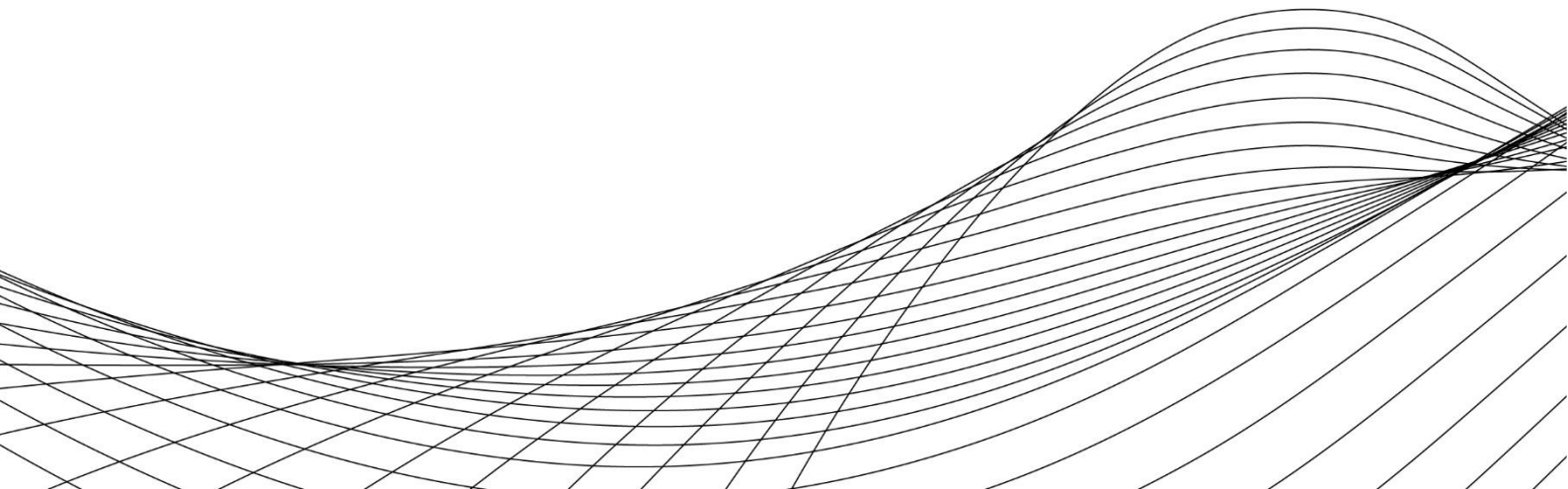
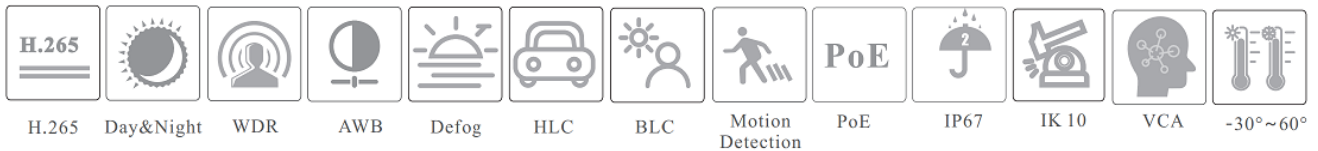


4MP IP AI Camera

PLC-434M-AI-IR3/PM

www.pollo.net.au

info@pollo.net.au

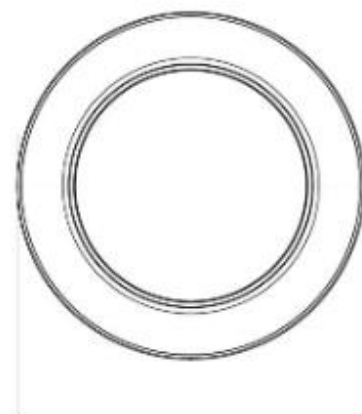
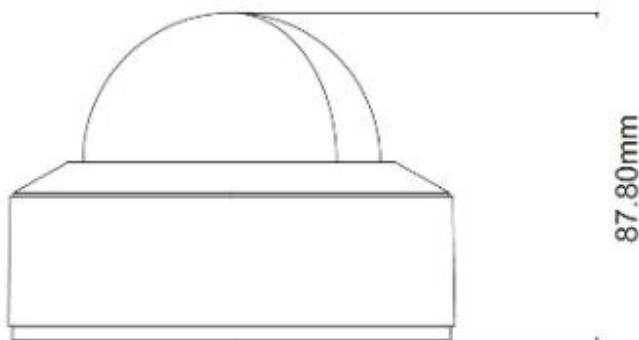




Key Features:

- ✔ 4MP (2592 × 1520) H.265 full real time coding
- ✔ Max. resolution: 2592 × 1520
- ✔ ICR auto switch, true day / night
- ✔ 20 ~ 30m IR night view distance
- ✔ Smart H.265/H.265+/H.265/Smart H.264/H.264+/H.264/MJPEG coding
- ✔ Max. resolution: 2592 × 1520
- ✔ ICR auto switch, true day / night vision
- ✔ 20 ~ 30m IR night view distance
- ✔ 3D DNR, true WDR, HLC, BLC, Defog, NIR, Smart IR and ROI coding
- ✔ Support image distortion correction
- ✔ Built-in micro-SD card slot, up to 256GB
- ✔ DC12V/PoE power supply
- ✔ IP67 & IK10
- ✔ Support three streams
- ✔ Support remote monitoring by smart phones & tablet PCs with iOS and Android OS
- ✔ Intelligent analytics

Dimensions:



119.00mm



Specifications:

Model	PLC-434M-AI-IR3/PM
Image Sensor	1 / 3 "CMOS
Image Size	2592 × 1520
Electronic Shutter	1 / 3s ~ 1 / 10000 s
Iris Type	Fixed Iris
Min. Illumination	0.005 lux@F1.6, AGC ON;0 lux with IR
Lens	2.8 mm@F1.6, Horizontal FoV: 96°; vertical FoV: 55°; diagonal FoV:115° 3.6 mm@F1.6, Horizontal FoV:78.8°; vertical FoV: 42.3°; diagonal FoV: 100.2°
Focus	Fixed
Lens Mount	M12
Day & Night	ICR
Wide Dynamic Range	120dB
BLC	Yes
HLC	Yes
Defog	Yes
Digital NR	3D DNR
Angle Adjustment	Pan: 0°~355°; Tilt:0°~67°; Rotation: 0°~355°
Video Compression	Main stream: Smart H.265 / H.265+ / H.265 / Smart H.264 / H.264+ / H.264 Sub stream: H.265+ / H.265 / H.264+ / H.264 / MJPEG Third stream: H.265+ / H.265 / H.264+ / H.264 / MJPEG
H.264 Compression Standard	Baseline Profile/Main Profile/High Profile
Resolution	4MP (2592 × 1520), 2K (2560 × 1440), 3MP (2304 × 1296), 1080P (1920 × 1080), 720P (1280 × 720), D1, CIF, 480 × 240
Main Stream	4MP/2K/3MP/1080P / 720P (60Hz: 1 ~ 30fps; 50Hz: 1~25fps) HFR mode: 1080P / 720P (60Hz: 1 ~ 60fps; 50Hz: 1~50fps)
Sub Stream	720P/D1/CIF/480×240 (60Hz: 1 ~ 30fps; 50Hz: 1~25fps)
Third Stream	D1/CIF/480×240 (60Hz: 1 ~ 30fps; 50Hz: 1~25fps)
Bit Rate	64 Kbps ~ 8 Mbps
Bit Rate Type	VBR / CBR
Audio Compression	G711A / U
Image Settings	ROI, Saturation, Brightness, Hue, Contrast, Wide Dynamic, Sharpness, Image Mirror, Image Flip, NR, etc. adjustable through client software or web browser
ROI	Each ROI to be configured separately
Perimeter Protection	Line crossing, region entrance/exiting/intrusion (human/motor vehicle/ non-motor vehicle classification)
Statistics	Target counting by line/area, heat map
Exception Detection	Scene change, video blur and video cast detection
Face Detection	Face detection and face capture
Other Events	Abandoned/missing object detection

Network	RJ45
Video Output	No
Audio	1CH audio input; 1 CH built-in MIC
Storage	Built-in micro-SD card slot; up to 256GB
Reset	Yes
Alarm	1CH alarm input; 1CH alarm output
Remote Monitoring	Web Browser/PVMS Plus /NVR/mobile APP
Web Browser	IE(plug-in required)/Google Chrome/Edge/Firefox/Safari
Online Connection	Support simultaneous monitoring for up to 10 users; Support multi-stream real time transmission
Network Protocol	UDP, IPv4, IPv6, DHCP, NTP, RTSP, RTP, RTMP, RTCP, PPPoE, DDNS, SMTP, FTP, SNMP, HTTP, HTTP POST, 802.1x, UPnP, HTTPs, QoS
Interface Protocol	ONVIF
Storage	Network remote storage; micro-SD card storage
Smart Alarm	Motion detection, Sensor detection, SD card error, SD card full, IP address conflict, cable disconnection
General Function	Watermark, IP address filtering, video mask, heartbeat, illegal login lock, image distortion correction, corridor pattern
PoE	Yes, IEEE802.3af
IR Distance	20 ~ 30 m
Ingress Protection	IP67&IK10
Power Supply	DC12V/PoE
Power Consumption	< 7W
Storage Conditions	- 30 °C ~ 65°C (-22°F~149°F), Humidity: less than 95 % (non-condensing)
Operating Conditions	- 30 °C ~ 60 °C (-22°F~140°F), Humidity: less than 95 % (non-condensing)
Dimensions (mm)	Φ 119 × 87.8
Weight (net)	Approx. 0.65KG
Installation	Ceiling mounting; Wall mounting
Certificate	CE, FCC
Environmental Protection	Directive EU RoHS, WEEE(2012/19/EU) , directive 94/62/EC and REACH(EC1907/2006)