

pöllö 
Prime Series

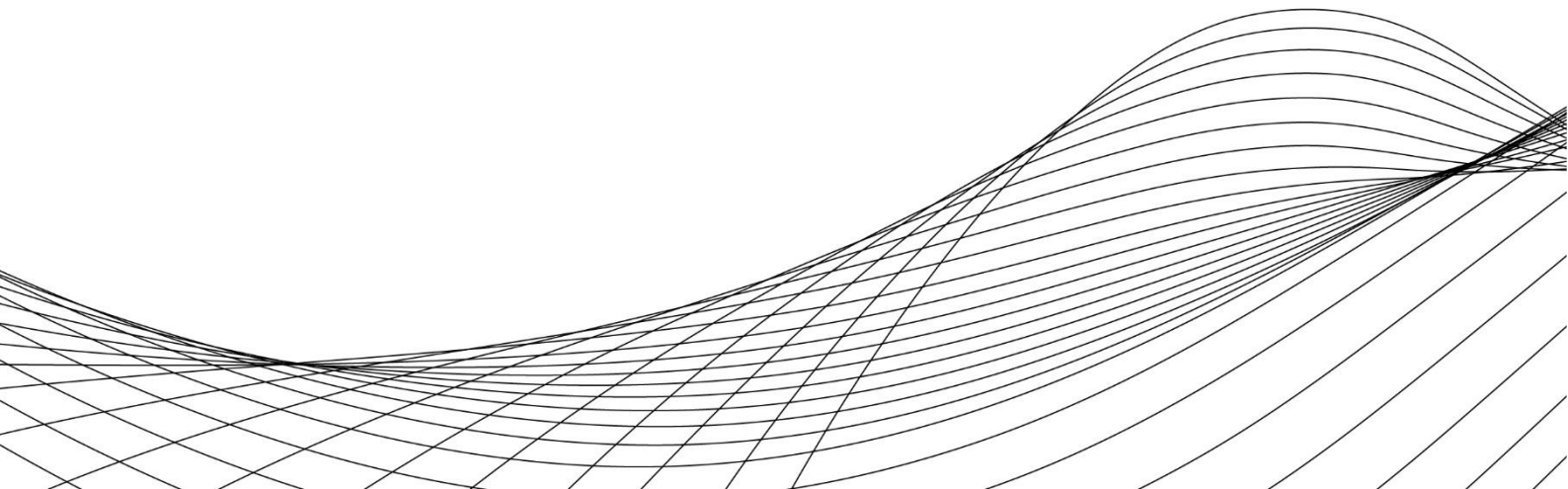
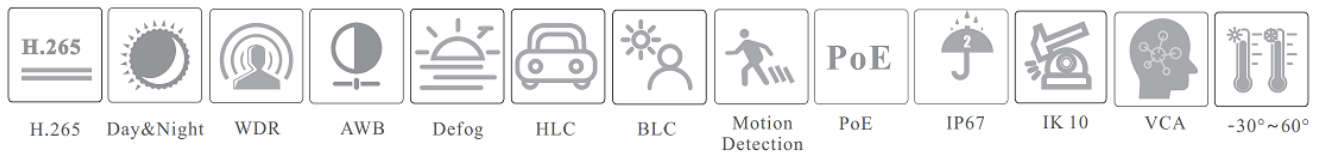


2MP IP AI Camera

PLC-432M-AI-IR3/PM

www.pollo.net.au

info@pollo.net.au

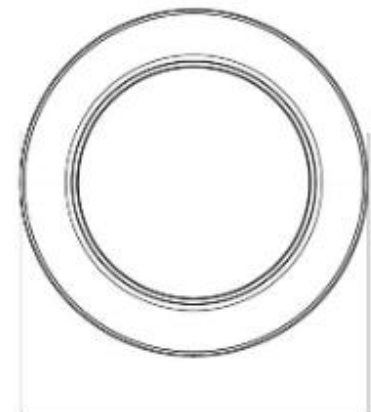
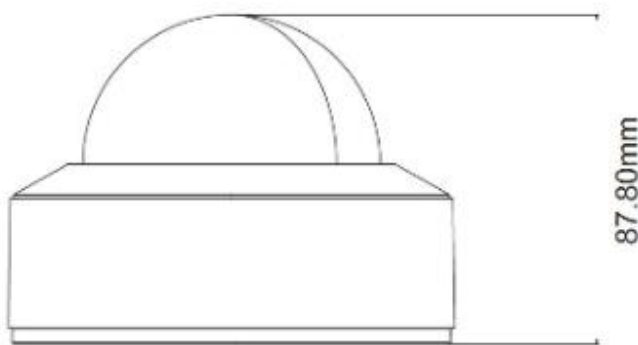




Key Features:

- ✔ 2MP (1920 × 1080) @30fps
- ✔ Support smart H.265/H.264 coding
- ✔ ICR auto switch, true day / night vision
- ✔ 20 ~ 30m IR night view distance
- ✔ Starlight
- ✔ 3D DNR, true WDR, HLC, BLC, Defog, Smart IR and ROI coding Support corridor mode
- ✔ Support image distortion correction
- ✔ 1CH alarm input and 1CH alarm output
- ✔ 1CH audio input and 1CH built-in MIC
- ✔ Built-in micro-SD card slot, up to 256GB
- ✔ DC12V/PoE power supply
- ✔ IP67 & IK10
- ✔ Support three streams
- ✔ Support mobile surveillance by smart phones & tablet PCs with iOS and Android OS
- ✔ Intelligent analytics

Dimensions:



119.00mm



Specifications:

Model	PLC-432M-AI-IR3/PM
Image Sensor	1 / 2.8" CMOS
Image Size	1920 × 1080
Electronic Shutter	1 s ~ 1 / 100000 s
Iris Type	Fixed Iris
Min. Illumination	0.005 lux@F1.6,AGC ON; 0 lux with IR 0.0028 lux@F1.2,AGC ON; 0 lux with IR
Lens	2.8 mm@F1.6, horizontal FoV: 108°; vertical FoV: 75.3°; diagonal FoV:115.2° 3.6 mm@F1.6, horizontal FoV: 89°; vertical FoV: 57.8°; diagonal FoV:96.8°
Focus	Fixed
Lens Mount	M12
Day& Night	ICR
Wide Dynamic Range	120dB
BLC	Yes
HLC	Yes
Defog	Yes
Digital NR	3D DNR
Angle Adjustment	Pan: 0°~355°, Tilt : 0°~67°, Rotation : 0°~355°
Video Compression	Main stream: Smart H.265 / H.265+ / H.265 / Smart H.264 / H.264+ / H.264 Sub stream: H.265+ / H.265 / H.264+ / H.264 / MJPEG Third stream: H.265+ / H.265 / H.264+ / H.264 / MJPEG
H.264 Compression Standard	Baseline Profile/Main Profile/High Profile
Resolution	1080P (1920 × 1080), 720P (1280 × 720), D1, CIF, 480 × 240
Main Stream	60Hz:1080P/720P(1 ~ 30fps); 50Hz:1080P / 720P(1 ~ 25fps)
Sub Stream	60Hz:720P/D1/CIF/480×240 (1~30fps); 50Hz:720P/D1/CIF/480×240 (1~25fps)
Third Stream	60Hz:D1/CIF /480×240 (1~30fps); 50Hz:D1/CIF/480×240 (1~25fps)
Bit Rate	64 Kbps ~ 6 Mbps
Bit Rate Type	VBR / CBR
Audio Compression	G711A / U
Image Settings	ROI, Saturation, Brightness, Hue, Contrast, Wide Dynamic, Sharpness, NR, etc. adjustable through client software or web browser
ROI	Each ROI to be configured separately
Network	RJ 45
Video Output	No
Audio	1CH audio input; Built-in MIC × 1
Storage	Built-in micro-SD card slot; up to 256GB
Reset	Yes
Alarm	1CH alarm input; 1CH alarm output
Perimeter Protection	Line crossing, region entrance/exiting/intrusion (human/motor vehicle/ non-motor vehicle classification)

Target Counting	Line crossing counting, region intrusion counting, heat map
Exception Detection	Scene change, video blur and video colour cast detection
Face Detection	Face detection and face capture
Object Detection	Abandoned object detection, missing object detection
Remote Monitoring	Web browsing, CMS remote control
Online Connection	Support simultaneous monitoring for up to 10 users; Support multi-stream real time transmission
Network Protocol	UDP, IPv4, IPv6, DHCP, NTP, RTSP, RTP, RTCP, ICMP, IGMP, FTP, PPPoE, DDNS, SMTP,SNMP,HTTP, 802.1x, UPnP, HTTPs, QoS
Interface Protocol	ONVIF
Storage	Network remote storage; micro-SD card storage
Smart Alarm	Motion detection, sensor alarm, SD card error, SD card full, IP address conflict, cable disconnection
General Function	Watermark, IP address filtering, video mask, heartbeat, password protection, image distortion correction
PoE	Yes, IEEE802.3af
IR Distance	20 ~ 30 m
Ingress Protection	IP67&IK10
Power Supply	DC12V/PoE
Power Consumption	< 7.5W
Operating Environment	- 30 °C ~ 60 °C (-22°F~140°F) Humidity: less than 95 % (non-condensing)
Dimensions (mm)	Φ 119 × 87.8
Weight (net)	Approx.0.65KG
Installation	Ceiling mounting (wall mounting available with the junction box and bracket)
Certificate	CE, FCC
Environmental Protection	Directive EU RoHS, WEEE(2012/19/EU) , directive 94/62/EC and REACH(EC1907/2006)