

pöllö 
Prime Series

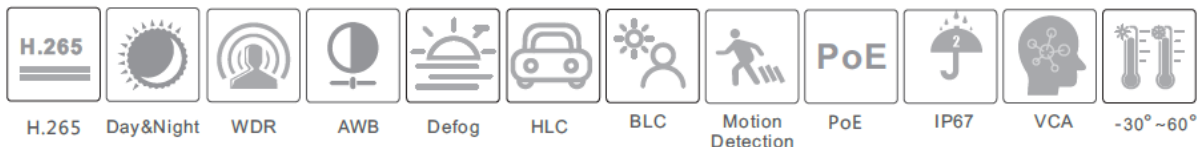


4MP IP AI Camera

PLC-424M-AI-IR3/PM

www.pollo.net.au

info@pollo.net.au

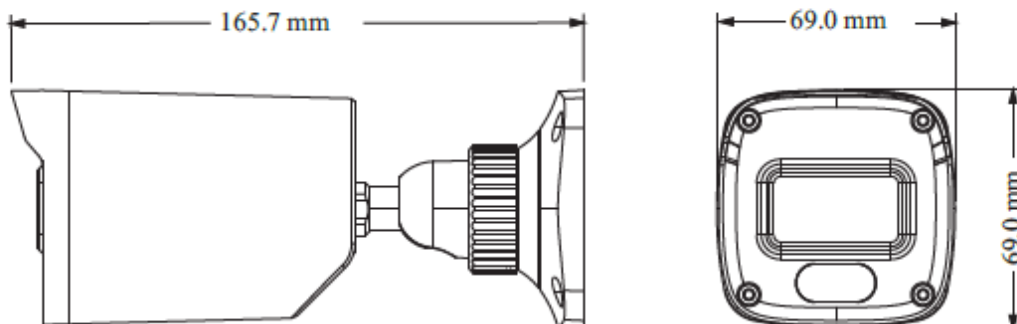




Key Features:

- ✔ 4MP (2592 × 1520) H.265 full real time coding.
- ✔ Max. resolution: 2592 × 1520.
- ✔ ICR auto switch, true day / night vision.
- ✔ 20 ~ 30m IR night view distance.
- ✔ 3D DNR, true WDR, HLC, BLC, Defog, NIR, Smart IR and ROI coding.
- ✔ Support image distortion correction.
- ✔ Built-in micro-SD card slot, up to 128GB.
- ✔ DC12V/PoE power supply.
- ✔ IP 67 ingress protection.
- ✔ Support three streams.
- ✔ P2P function optional.
- ✔ Support remote monitoring by smart phones & tablet PCs with iOS and Android OS.
- ✔ Intelligent analytics.

Dimensions:





Specifications:

Model	PLC-424M-AI-IR3/PM
Image Sensor	1 / 3 "CMOS
Image Size	2592 × 1520
Electronic Shutter	1 / 30 s ~ 1 / 100000 s
Iris Type	Fixed Iris
Min. Illumination	0.005 lux@F1.6, AGC ON; 0 lux with IR 0.0028 lux@F1.2, AGC ON; 0 lux with IR
Lens	3.6 mm@F1.6, horizontal FoV: 80.6°; vertical FoV: 50.6°; diagonal FoV:88°
Focus	Fixed
Lens Mount	M12
Day & Night	ICR
Wide Dynamic Range	120dB
BLC	Yes
HLC	Yes
Defog	Yes
Digital NR	3D DNR
Angle Adjustment	Pan: 0°~360°; Tilt:0°~80°; Rotation: 0°~360°
Video Compression	Smart H.265 / H.265+ / H.265 / Smart H.264 / H.264+ / H.264 / MJPEG
H.264 Compression Standard	Baseline Profile/Main Profile/High Profile
Resolution	4MP (2592 × 1520), 2K (2560 × 1440), 3MP (2304 × 1296), 1080P (1920 × 1080), 720P (1280 × 720), D1, CIF, 480 × 240
Main Stream	4MP/2K/3MP/1080P / 720P (60Hz: 1 ~ 30fps; 50Hz: 1~25fps) HFR mode: 1080P / 720P (60Hz: 1 ~ 60fps; 50Hz: 1~50fps)
Sub Stream	720P/D1/CIF/480×240 (60Hz: 1 ~ 30fps; 50Hz: 1~25fps)
Third Stream	D1/CIF/480×240 (60Hz: 1 ~ 30fps; 50Hz: 1~25fps)
Bit Rate	64 Kbps ~ 8 Mbps
Bit Rate Type	VBR / CBR
Audio Compression	G711A / U
Image Settings	ROI, Saturation, Brightness, Chroma, Contrast, Wide Dynamic, Sharpen, NR, etc. adjustable through client software or web browser
ROI	Each ROI to be configured separately
Network	RJ45
Video Output	No
Audio	1CH audio input
Storage	Built-in micro-SD card slot; up to 128GB
Reset	Yes
Perimeter Protection	Line crossing, region entrance/exiting/intrusion (human/motor vehicle/ non-motor vehicle classification)
Target Counting	Line crossing human/motor vehicle/non-motor vehicle counting
Exception Detection	Scene change, video blur and video colour cast detection
Face Detection	Face detection and face capture

Remote Monitoring	Web browsing, CMS remote control
Online Connection	Support simultaneous monitoring for up to 10 users; Support multi-stream real time transmission
Network Protocol	UDP, IPv4, IPv6, DHCP, NTP, RTSP, PPPoE, DDNS, SMTP, FTP, SNMP, HTTP, HTTP POST, 802.1x, UPnP, HTTPs, QoS
Interface Protocol	ONVIF
Storage	Network remote storage; micro-SD card storage
Smart Alarm	Motion detection, SD card error, SD card full
Intelligent Analytics	Video blur detection, video colour cast detection, scene change detection, license plate recognition
General Function	Watermark, IP address filtering, video mask, heartbeat, illegal login lock
PoE	Yes, IEEE802.3af
IR Distance	20 ~ 30 m
Ingress Protection	IP67
Power Supply	DC12V/PoE
Power Consumption	< 7.5W
Operating Environment	- 30 °C ~ 60°C (-22 °F~140°F) E42Humidity: less than 95 % non condensing
Dimensions (mm)	165.7 x 69 x 69
Weight (net)	Approx. 0.40KG
Installation	Ceiling mounting; Wall mounting
Certificate	CE, FCC
Environmental Protection	Complies with Directive EU RoHS, WEEE (2012/19/EU), directive 94/62/EC and REACH(EC1907/2006)