

pöllö   
**Prime Series**

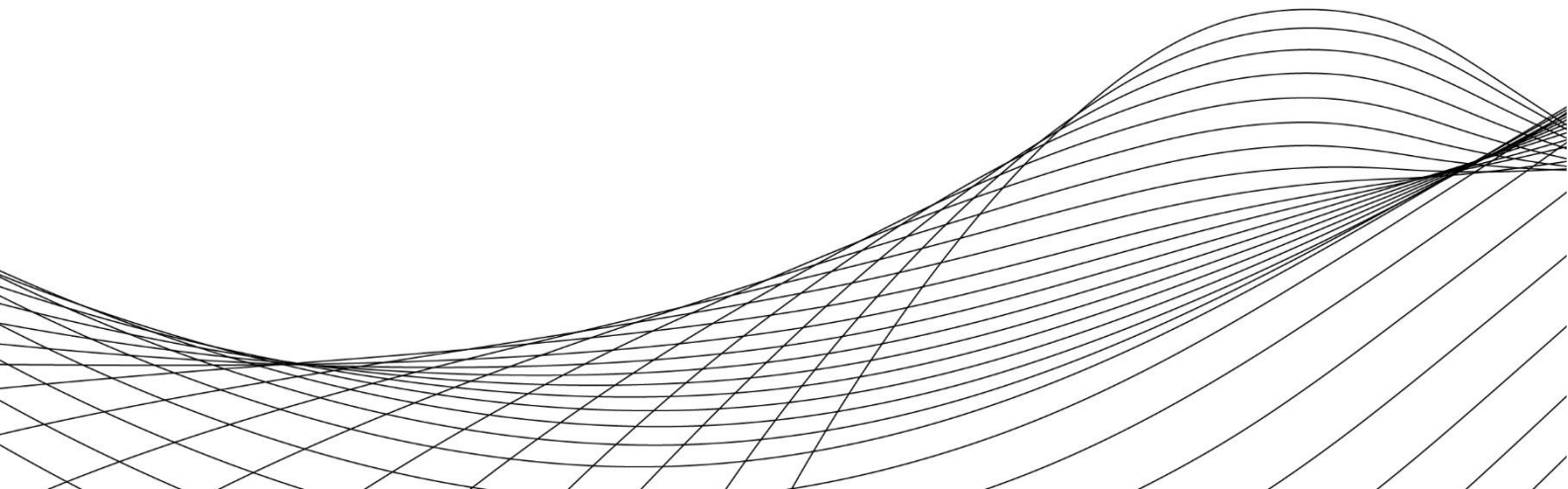
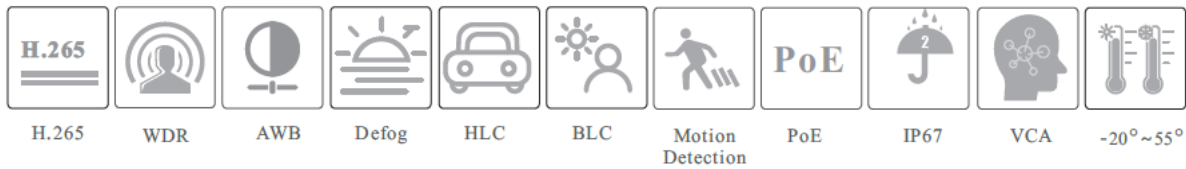


## 4MP IP Camera

**PLC-434P-AU-IR2/PM**

[www.pollo.net.au](http://www.pollo.net.au)

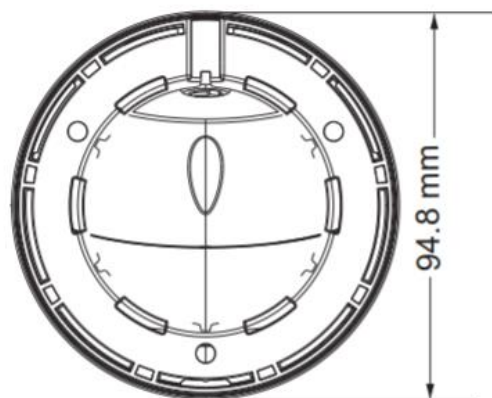
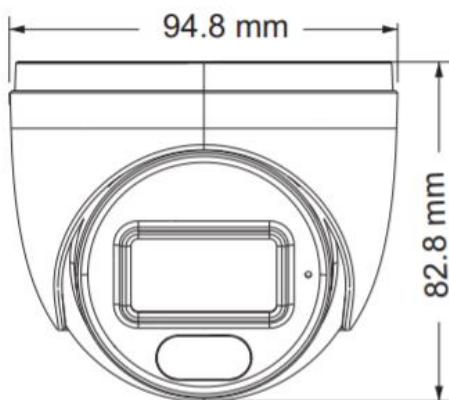
[info@pollo.net.au](mailto:info@pollo.net.au)



## Key Features:

- ❖ 4MP (2560 × 1440) H.265 coding.
- ❖ Max. resolution: 2560 1440.
- ❖ ICR auto switch, true day / night, ROI coding.
- ❖ 3D DNR, digital WDR, HLC, BLC, defog.
- ❖ 10~20m IR night view distance.
- ❖ DC12V/PoE power supply.
- ❖ 1CH built-in MIC
- ❖ P2P function optional.
- ❖ IP 67 ingress protection.
- ❖ Support three streams.
- ❖ Support mobile surveillance by smart phones with iOS and Android OS.
- ❖ Intelligent analytics: object removal detection, abnormal video signal detection, line crossing detection and region intrusion detection.

## Dimensions:



## Specifications:



<b>Model</b>	<b>PLC-434P-AU-IR2/PM</b>
<b>Image Sensor</b>	1 / 2.7 "CMOS
<b>Image Size</b>	2560×1440
<b>Electronic Shutter</b>	1 s ~ 1 / 100000 s
<b>Iris Type</b>	Fixed Iris
<b>Min. Illumination</b>	0.011 lux @F1.2, AGC ON; 0 lux with IR 0.04 lux @ F2.2, AGC ON; 0 lux with IR
<b>Lens</b>	2.8 mm @F2.0, (fixed lens), horizontal field of view: °110
<b>Focus</b>	Fixed
<b>Lens Mount</b>	M12
<b>Wide Dynamic Range</b>	Digital WDR
<b>BLC</b>	Yes
<b>HLC</b>	Yes
<b>Defog</b>	Yes
<b>Digital NR</b>	3D DNR
<b>Angle Adjustment</b>	Pan: 0°~360°; Tilt:0°~80°; Rotation: 0°~360°
<b>Video Compression</b>	H.265 / H.264
<b>H.265 Compression Standard</b>	Main Profile@Leve4.1 High Tier
<b>Resolution</b>	4MP (2560 × 1440), 3MP (2304 × 1296), 1080P (1920 × 1080), 720P (1280 × 720), D1, CIF, 480 × 240
<b>Main Stream</b>	60Hz: 4MP(1~20fps)/3MP(1~30fps)/1080P(1~30fps); 50Hz: 4MP(1~20fps)/3MP(1~25fps)/1080P(1~25fps)
<b>Sub Stream</b>	60Hz: 720P(1~15fps)/D1 (1~30fps)/CIF (1~30fps); 50Hz: 720P(1~12fps)/D1(1~25fps)/CIF (1~25fps);
<b>Third Stream</b>	60Hz: D1/CIF/480x240 (1~30fps); 50HZ: D1/CIF/480x240 (1~25fps)
<b>Audio Compression</b>	G711A/U
<b>Bit Rate</b>	64 Kbps ~ 5 Mbps
<b>Bit Rate Type</b>	VBR / CBR
<b>Image Settings</b>	ROI, Saturation, Brightness, Hue, Contrast, Wide Dynamic, Sharpness, NR, etc. adjustable through client software or web browser
<b>ROI</b>	Each ROI to be configured separately
<b>Network</b>	RJ45
<b>Video Output</b>	No
<b>Audio</b>	1CH built-in MIC
<b>Storage</b>	No
<b>Reset</b>	No
<b>Remote Monitoring</b>	Web browsing, CMS remote control
<b>Online Connection</b>	Support simultaneous monitoring for up to 4 users; Support multi-stream real time transmission
<b>Network Protocol</b>	UDP, IPv4, IPv6, DHCP, NTP, RTSP, PPPoE, DDNS, SMTP, FTP, 802.1x, UPnP, HTTP, HTTPS, QoS

<b>Interface Protocol</b>	ONVIF
<b>Storage</b>	Network remote storage
<b>Smart Alarm</b>	Motion detection
<b>Intelligent Analytics</b>	Region intrusion detection, video blur detection, scene change detection, line crossing detection
<b>General Function</b>	Watermark, IP address filtering, video mask, heartbeat, illegal login lock
<b>PoE</b>	Yes, IEEE802.3af
<b>IR Distance</b>	10 ~ 20m
<b>Ingress Protection</b>	IP67
<b>Power Supply</b>	DC12V/PoE
<b>Power Consumption</b>	< 4W
<b>Operating Environment</b>	- 20 °C ~ 55 °C (-4°F~131°F) Humidity: less than 95 % (non-condensing)
<b>Dimensions (mm)</b>	162.1 × 74.8 × 73.8
<b>Weight (net)</b>	Approx. 0.24KG
<b>Installation</b>	Ceiling mounting; Wall mounting
<b>Certificate</b>	CE, FCC
<b>Environmental Protection</b>	Complies with Directive EU RoHS, WEEE (2012/19/EU), directive 94/62/EC and REACH(EC1907/2006)