

pöllö 
Prime Series

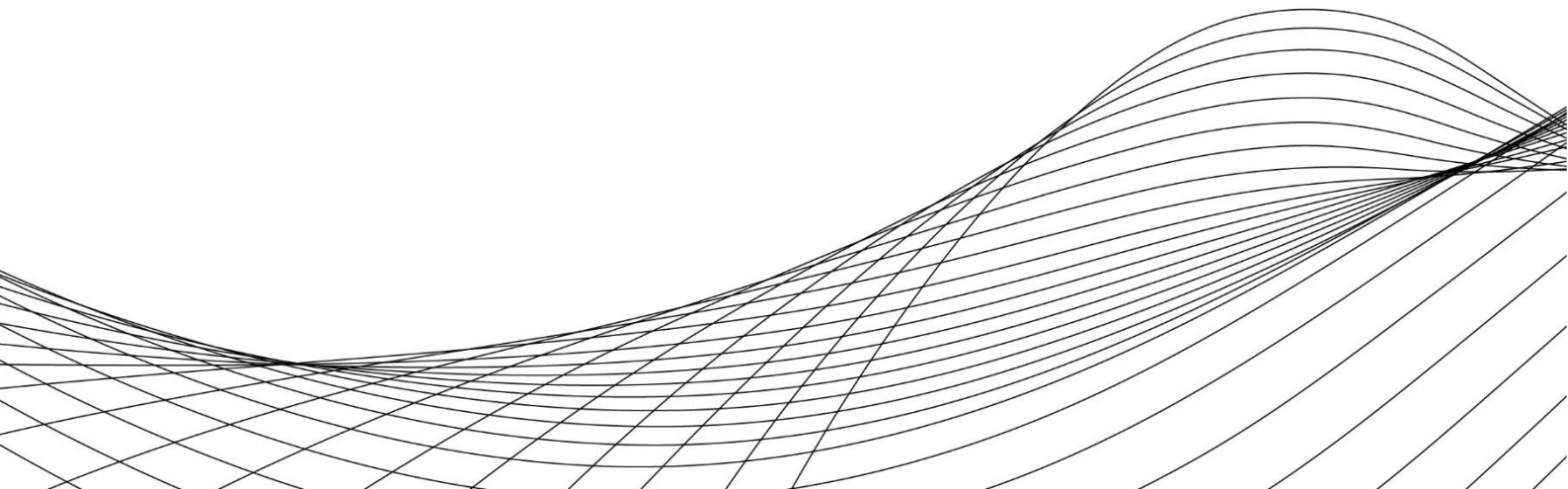
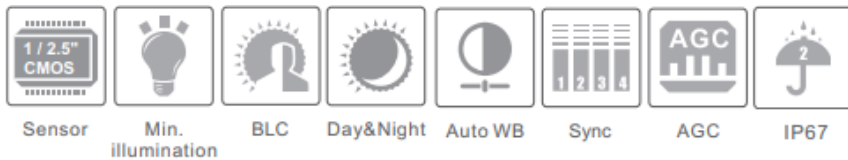


5MP FHD Camera

PLC-335P-IR2/PM

www.pollo.net.au

info@pollo.net.au

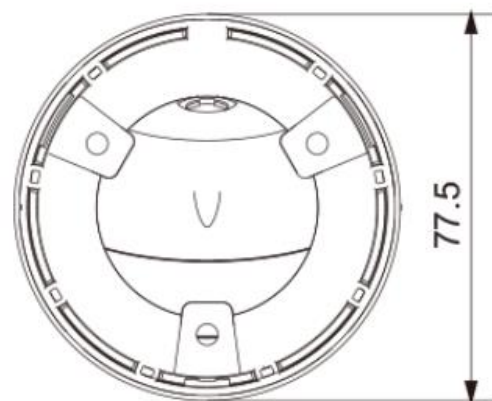
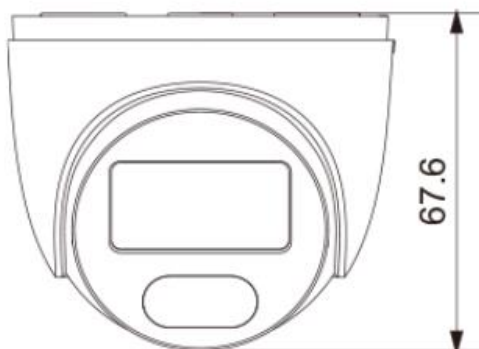


Key Features:

- ✔ 5MP 20fps/4MP real-time image, high resolution, true colour.
- ✔ AHD / TVI / CVI / CVBS standard and lossless video output.
- ✔ CMOS progressive scan, perfectly capture the moving object.
- ✔ Support OSD menu.
- ✔ High speed, long distance and real time transmission.
- ✔ Auto colour to B / W at low illumination.
- ✔ Support ICR switch, true day / night, digital WDR.
- ✔ Support noise reduction function.
- ✔ 10 ~ 20m IR night view distance.
- ✔ IP67 ingress protection.
- ✔ Support COC.



Dimensions:



Specifications:



Model	PLC-335P-IR2/PM
Image Sensor	1 / 2.5" CMOS
Resolution	5MP
Image Size	2560 x 1936
Video Output	AHD / TVI /CVI/CVBS
Image System	PAL / NTSC
Electronic Shutter	Auto
IR Distance	10 ~20 m
Frame Rate	5MP@20fps/4MP@30fps
Min. Illumination	Colour: 0.01lux@F1.2, AGC ON; B/W: 0 lux with IR
Lens	2.8 mm
Lens Mount	M12
S / N Ratio	≥52dB (AGC OFF)
Ingress Protection	IP67
Function	Control OSD (COC Control)
Day & Night	ICR
Digital WDR	Yes
Digital NR	Yes, 2D DNR
Global Exposure	Yes
AGC	Yes
Auto White Balance	Yes
BLC	Yes
Sharpness	Yes
Mirror	Yes
Smart IR	Yes
Image Setting	Yes
Defect Correction	Auto
Language	Chinese and English
Angle Adjustment	Pan: 0°~360°; Tilt: 0°~75°; Rotation: 0°~360
Power Supply	DC12V (± 15%)
Power Consumption	IR OFF: < 1W; IR ON: < 3W
Working Environment	- 10 °C ~ 40 °C, 10 % ~ 90 % (relative humidity)
Dimensions (mm)	Φ 94.8 x 82.8
Weight (net)	Approx. 0.17KG