



## **PLC-425M-VF-IR5**

Bullet 5 MP Varifocal



### **Pollo Pty Ltd.**

Address: Suite 401, 55 Phillips St. Parramatta, NSW 2150

Phone: 1300 6600 368

Email: [info@pollo.net.au](mailto:info@pollo.net.au)

Website: [www.pollo.net.au](http://www.pollo.net.au)



# PLC-425M-VF-IR5

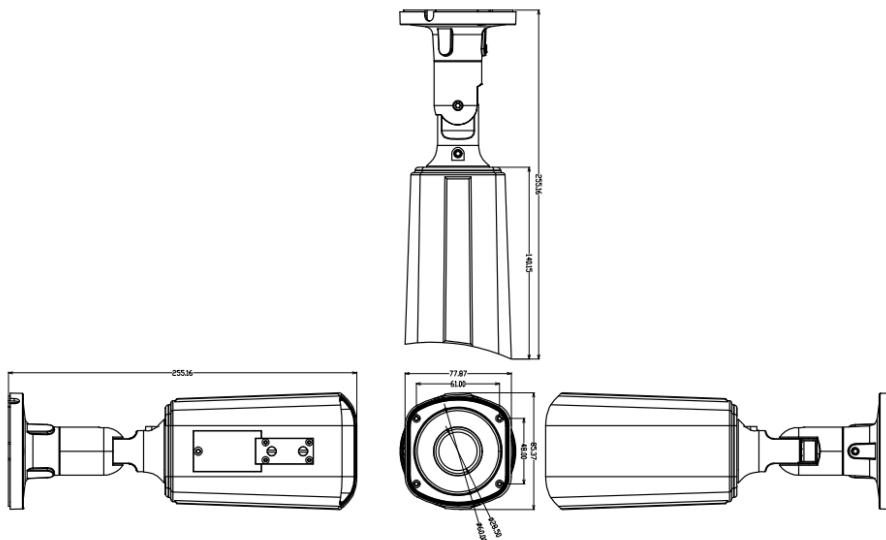
## Bullet 5 MP Varifocal



### 1. Features:

- ✔ Device uses high-performance processor with 5.0-megapixel CMOS imaging sensor.
- ✔ Device supports 5.0 MP (2560 \* 1920) 15 fps monitoring.
- ✔ Device uses Linux embedded OS for low power consumption and steady and credible operation.
- ✔ Device uses H.265 encoding for high compression ratio.
- ✔ Device supports ICR automatic switchover to achieve round-the-clock monitoring.
- ✔ Device supports network interruption, IP conflict, motion detection and video blind smart alarm functionalities.
- ✔ Device supports abnormal automatic recovery and network interruption auto-reconnect functionality.
- ✔ Device supports watermark encryption and prevents data from being tampered.
- ✔ Device support DC 12 V/PoE (choice) and is easy to install.
- ✔ Device comes with SDK development kit and provides access to other video management platforms.

### 2. Dimensions:



### 3. Specifications:

<b>Camera</b>	<b>Image Sensor</b>	1/2.5" CMOS Sensor
	<b>Max Resolution</b>	2560 * 1920
	<b>Minimum Illumination</b>	Color 0.1 Lux @ F 1.2, Black/White 0.01 Lux @ F 1.2
	<b>Electronic Shutter</b>	1/25 s - 1/100000 s, Manual/Automatic Adjustment
	<b>Day and Night</b>	Color: Black and White, Automatic, IR-CUT Automatic Switching
	<b>Infrared Distance</b>	50 m
	<b>WDR</b>	Yes
	<b>SNR</b>	≥50 dB
	<b>Gain Control</b>	Automatic
	<b>White Balance</b>	Automatic
<b>Lens Parameters</b>	<b>Type</b>	Varifocal Lens
	<b>Focal Length</b>	2.8 mm - 12 mm
	<b>Interface</b>	M12
<b>Video Parameters</b>	<b>Video Compression</b>	H.265/ H.264
	<b>Bit Rate</b>	32 kbps – 8192 kbps, Adjustable, Supports VBR/CBR
	<b>Frame</b>	PAL: Main Stream (2560 * 1920 @ 15 fps), Sub-stream (D1 @ 25 fps) NTSC: Main Stream (2560 * 1920 @ 15 fps), Sub-stream (D1 @30 fps)
<b>Function</b>	<b>OSD Superimpose</b>	Time, Channel Name, Position, Picture
	<b>Image Settings</b>	Brightness, Contrast, Sharpness, Saturation
	<b>Record Mode</b>	Manual, Detection, Timing Video, Alarm
	<b>Storage</b>	N/A
	<b>Defaults</b>	Supports Key to Restore Defaults
	<b>Browser</b>	Supports Above IE6
	<b>User Management</b>	Supports Multi-level User Administration
	<b>Alarm and Data Transmission</b>	Supports FTP, E-mail Browser, VMS
	<b>Privacy Shelter</b>	Yes
	<b>Motion Detection</b>	Yes
<b>Interface</b>	<b>Network Interface</b>	1 RJ45 10/100 M Ethernet Interface
	<b>Protocol</b>	Supports TCP/IP/HTTP/RTSP/FTP/PPPOE/RTCP/SMTP/DHCP/DDNS/NTP/UPnP/SNMP
	<b>Access Protocol</b>	Supports Standard ONVIF
	<b>Smartphone Platform</b>	Supports iPhone, iPad, Android
<b>Others</b>	<b>Ingress Protection</b>	IP66
	<b>Shell Material</b>	Metal
	<b>Power Supply</b>	DC 12 V/PoE
	<b>Power Consumption</b>	10 W Max
	<b>Work Environment</b>	-20°C - +55°C, Operating Humidity: ≤95%
	<b>Install</b>	Scaffolding, Ceiling-mounted